

# SPECIFICATIONS

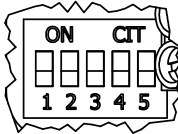
PARAMETERS	VALUES	UNITS
RATED VOLTAGE	24	Vdc
OPERATING VOLTAGE RANGE	10 ~ 28	Vdc
TONE OUTPUT	SEE 32 TONE CHART	-
CURRENT CONSUMPTION (NOMINAL)	SEE 32 TONE CHART	mA
INGRESS PROTECTION	IP54	-
CASE MATERIAL/COLOR	ABS/RED	-
TERMINAL	SCREW	-
OPERATING TEMPERATURE	-25 ~ +70	°C
WEIGHT	150	grams

THIS DOCUMENT CONTAINS DATA PROPRIETARY TO PROJECTS UNLIMITED, INC. ANY USE OR REPRODUCTION, IN ANY FORM, WITHOUT PRIOR WRITTEN PERMISSION OF PROJECTS UNLIMITED, INC. IS PROHIBITED.  
©2003, Projects Unlimited Inc.

# REVISION HISTORY

LTR	DESCRIPTION	DATE	APPROVED
-	RELEASED FROM ENGINEERING	12/6/2005	
A	ADDED RoHS & COVER NOTES	5/21/2007	R.W.
B	REVISED DETAIL "A" DIL SWITCH	3/11/2009	B.R.
C	REVISED TO INVENTOR 3-D DRAWING TEMPLATE	6/8/2010	B.R.

## DETAIL "A"



1=CLOSED  
0=OPEN

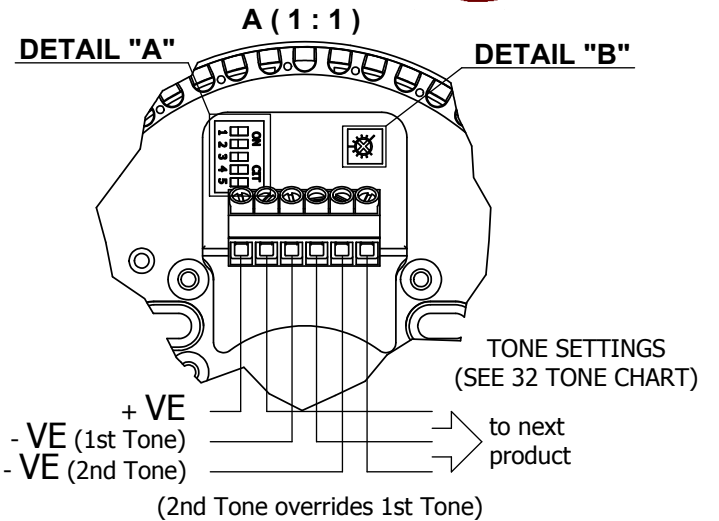
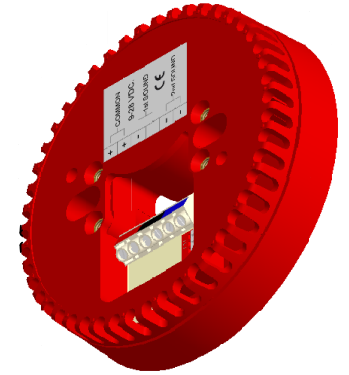
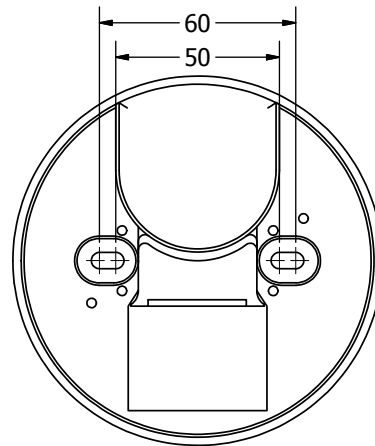
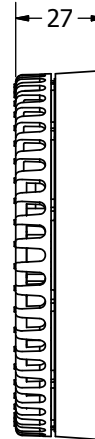
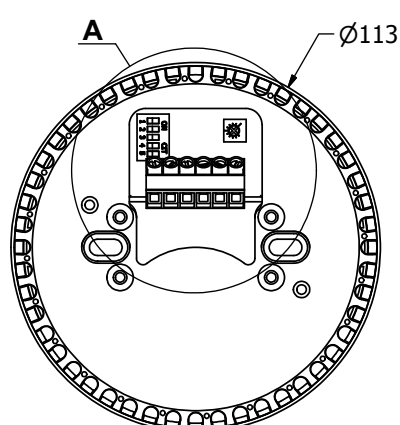
## DETAIL "B"

### VOLUME CONTROL



MAX

OPTIONAL COVER  
AWA-05CRC



### NOTES:

1. ALL DIMENSIONS ARE IN MILLIMETERS.
2. SPECIFICATIONS SUBJECT TO CHANGE OR WITHDRAWAL WITHOUT NOTICE.
3. THIS PART IS RoHS 2002/95/EC COMPLIANT.

UNLESS OTHERWISE SPECIFIED: DIMENSIONS ARE IN MILLIMETERS, TOLERANCES ARE ±0.5 AND ANGLES ARE ±3°.	SIZE	Designed by	Date	Checked by	Date	Approved by	Date	Drawn Date
	A3	J.A.F.	12/6/2005	E.P.	12/6/2005	B.R.	12/6/2005	6/8/2010
AW-05CR-NC.idw					<b>AW-05CR-NC</b> Siren			
					Edition	Sheet		
					-	1 / 1		