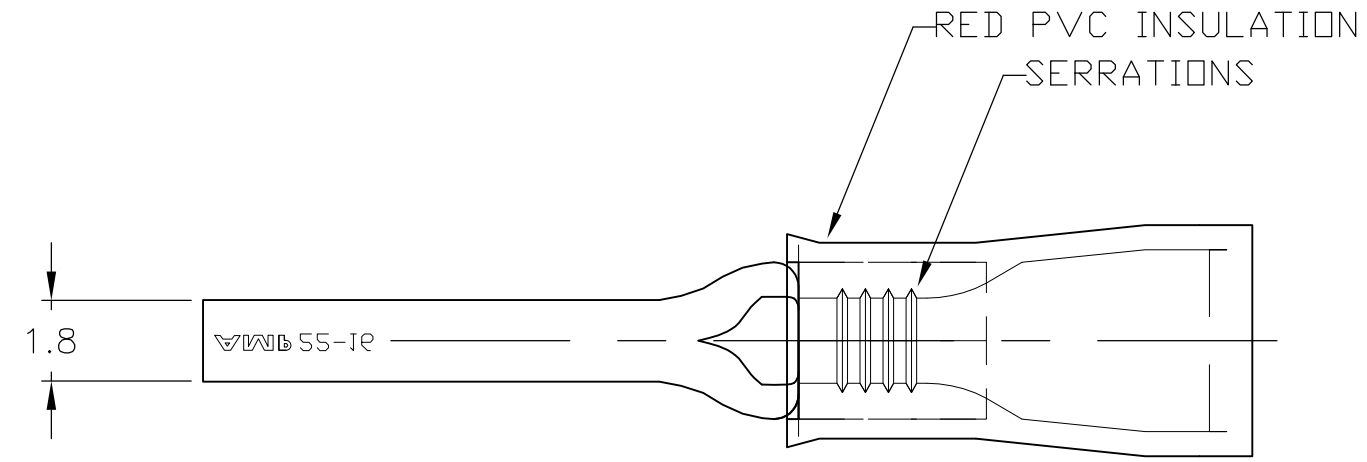


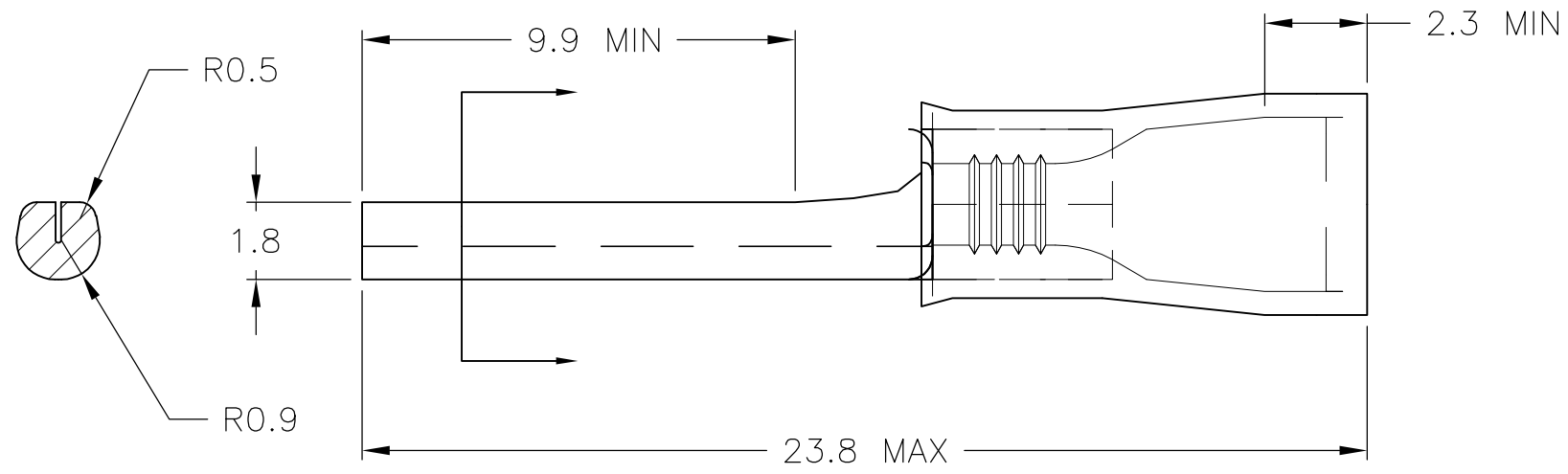
THIS DRAWING IS UNPUBLISHED. RELEASED FOR PUBLICATION  
 © COPYRIGHT - By - ALL RIGHTS RESERVED.

LOC	DIST	REVISIONS			
P	LTR	DESCRIPTION	DATE	DWN	APVD
G	14	C1	REVISED PER ECO-11-004917	11MAR11	RK HMR

AMP WIRE RANGE	FILE E13288
22-16 AWG STRANDED	22-16 AWG STRANDED



- 1 WIRE INSULATION DIA.  
3.6 MAX DIA.
- 2 MATERIAL: BODY - CU PER ASTM B152  
INSULATION - PVC
- 3 FINISH: BODY - TIN PL ASTM B545  
INSULATION - COLOR - RED



--	LOOSE PIECE	165167-0
QTY	PACKAGE TYPE	PART NO

CUSTOMER SERVICE SYSTEMS	
FOR ADDITIONAL PRODUCT INFORMATION OR COPIES OF DRAWINGS AND TECHNICAL DOCUMENTS	PRODUCT INFORMATION CENTER 1-800-522-6752
FOR APPLICATION TOOLING INFORMATION	TOOLING ASSISTANCE CENTER 1-800-722-1111
FOR ORDER ENTRY	1-800-526-5142

MAX RECOMMENDED OPERATING TEMPERATURE: 90°C [194°F]
VOLTAGE RATING: -
CIRCULAR MIL AREA: 0.25-1.6mm <sup>2</sup> [493-3158] STRANDED

THIS DRAWING IS A CONTROLLED DOCUMENT.	
DIMENSIONS: mm	TOLERANCES UNLESS OTHERWISE SPECIFIED:
	0 PLC ± -
	1 PLC ± 0.38
	2 PLC ± 0.20
	3 PLC ± -
	4 PLC ± -
	ANGLES ± -
MATERIAL	FINISH
2	3

DWN JR RUTH 16AUG10	NAME TERMINAL, WIRE PIN, PLASTI-GRIP WIRE SIZE, 22-16 AWG	RESTRICTED TO		
CHK T MICHELUTTI 16AUG10		-		
APVD T MICHELUTTI 16AUG10		SIZE A3	CAGE CODE 00779	DRAWING NO C-165167
PRODUCT SPEC		SCALE 6:1		SHEET 1 OF 1
APPLICATION SPEC	CUSTOMER DRAWING		REV C1	
WEIGHT -				