

Customer Information Sheet

DRAWING No.: KF-440/4410006

SHEET 2 OF 2

IF IN DOUBT - ASK

©

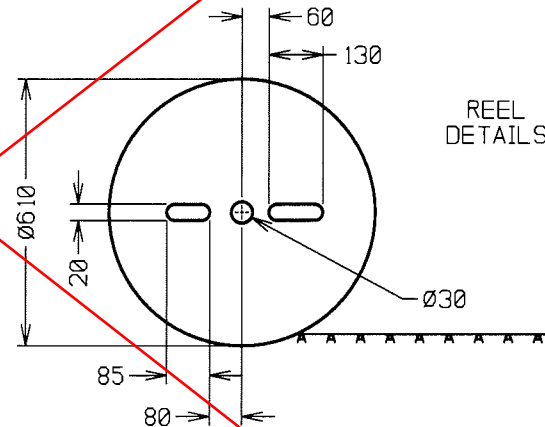
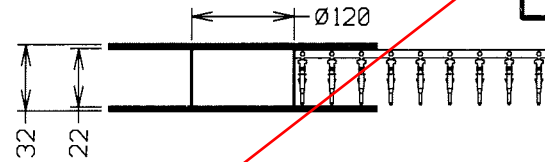
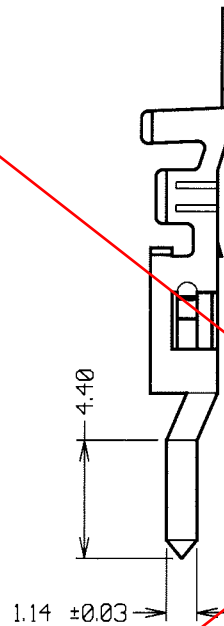
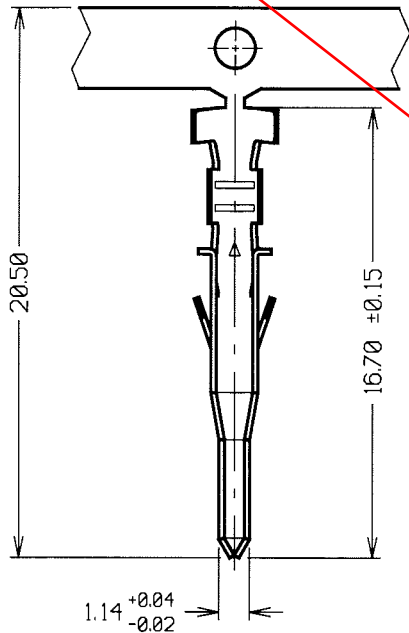
NOT TO SCALE

THIRD ANGLE PROJECTION

ALL DIMENSIONS IN mm

OBSOLETE

ORDER CODE:
KF-44X0006
SERIES CODE
(SEE TABLE)



HARWIN PART NUMBER	CRIMP PULL-OFF FORCE	WIRE SIZE
KF-4400006	88N MIN	16-20 AWG
KF-4410006	39N MIN	22-24 AWG

JAE	2	31.07.03	7537
NAME	ISS.	DATE	C/NOTE
APPROVED:			
CHECKED:			
DRAWN:		W. J. BOURNE	
CUSTOMER REF.:			
ASSEMBLY DRG:			

NOTES:

- FOR USE WITH CRIMP HOUSINGS KF-450XX00 AND KF-451XX00. RELEVANT SPECIFICATIONS ARE QUOTED ON THE CRIMP HOUSING DRAWING. FOR COMPLETE SPECIFICATION, SEE COMPONENT SPECIFICATION C033XX (LATEST ISSUE).
- QUANTITY PER REEL = 5,000. PITCH OF CONTACTS ON CARRIER = 11mm.

HARWIN

THIS DRAWING AND ANY INFORMATION OR DESCRIPTIVE MATTER SET OUT HEREON ARE CONFIDENTIAL AND COPYRIGHT PROPERTY OF THE HARWIN GROUP AND MUST NOT BE DISCLOSED, LOANED, COPIED OR USED FOR MANUFACTURING, TENDERING OR FOR ANY OTHER PURPOSE WITHOUT THEIR WRITTEN PERMISSION.

TOLERANCES
 X. - ±1mm
 X.X - ±0.25mm
 X.XX - ±0.10mm
 X.XXX - ±0.01mm
 ANGLES - ±5°
 UNLESS STATED

MATERIAL:
 BRASS
FINISH: 0.5µ NICKEL, 2.0µ TIN
S/AREA: mm²

TITLE: POWERFIT®
 4.2mm PITCH MALE
 CRIMP CONTACT (REELED)
DRAWING NUMBER:
 KF-440/4410006

HARWIN INC U.S.A. TEL: (812) 542 2546 FAX: (812) 542 2541	HARWIN PLC U.K. TEL: 023 9237 0451 FAX: 023 9231 4590	HARWIN PTE SINGAPORE TEL: 65 6779 4909 FAX: 65 6779 3868
--	--	---

SHT
2
OF
2

Customer Information Sheet

DRAWING No.: KF-4400046

SHEET 2 OF 2

IF IN DOUBT - ASK

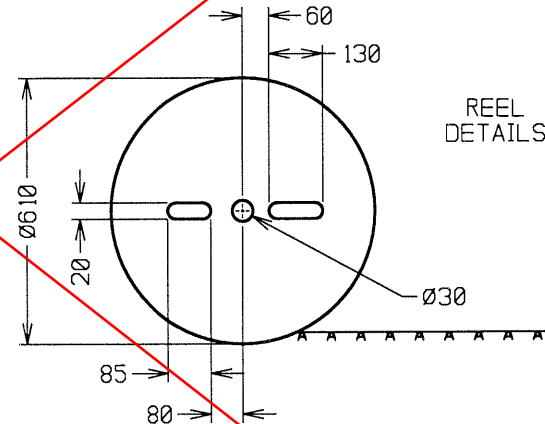
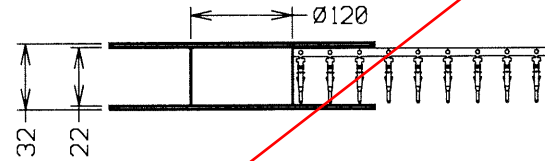
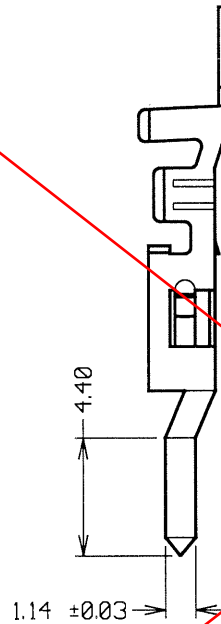
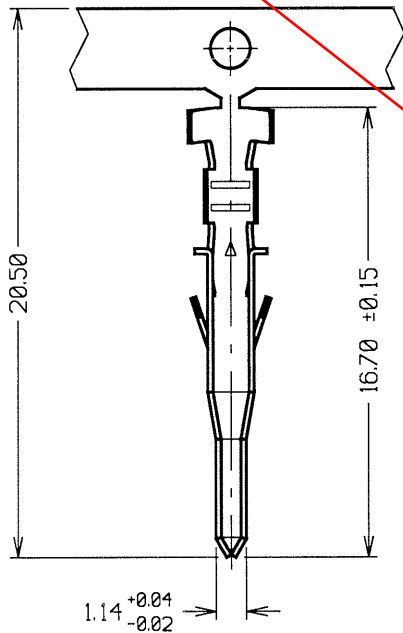
©

NOT TO SCALE

THIRD ANGLE PROJECTION

ALL DIMENSIONS IN mm

OBSOLETE



REEL
DETAILS

NOTES:

1. FOR USE WITH WIRE SIZE 16-20 AWG.
2. CRIMP PULL-OFF FORCE = 88N MIN.
3. USE WITH CRIMP HOUSING KF-4500200. FOR COMPLETE SPECIFICATION SEE COMPONENT SPEC. C033XX (LATEST ISSUE).
4. FINISH: 2.0µ 100% TIN OVER 0.5µ NICKEL.
5. QUANTITY PER REEL = 5,000. PITCH OF CONTACTS ON CARRIER = 11mm.

JMB	1	28.06.06	----
NAME	ISS.	DATE	C/NOTE
APPROVED: <i>[Signature]</i>			
CHECKED: <i>[Signature]</i>			
DRAWN: JM BROOKES			
CUSTOMER REF:			
ASSEMBLY DRG:			

HARWIN

HARWIN USA TEL: 603 893 5376 FAX: 603 893 5396 mis@harwin.com
 HARWIN Europe (UK) TEL: 023 9231 4545 FAX: 023 9231 4590 mis@harwin.co.uk
 HARWIN Asia TEL: +65 6 779 4909 FAX: +65 6 779 3868 mis@harwin.com.sg

THIS DRAWING AND ANY INFORMATION OR DESCRIPTIVE MATTER SET OUT HEREON ARE CONFIDENTIAL AND COPYRIGHT PROPERTY OF THE HARWIN GROUP AND MUST NOT BE DISCLOSED, LOANED, COPIED, OR USED FOR MANUFACTURING, TENDERING OR FOR ANY OTHER PURPOSE WITHOUT THEIR WRITTEN PERMISSION.

TOLERANCES
 X. - ±1mm
 X.X - ±0.25mm
 X.XX - ±0.10mm
 X.XXX - ±0.01mm
 ANGLES = ±5°
 UNLESS STATED

MATERIAL: BRASS
FINISH: SEE NOTE 4
S/AREA: mm²

TITLE: POWERFIT®
 4.2mm PITCH MALE
 CRIMP CONTACT (REELED)
DRAWING NUMBER: KF-4400046
 SHT 2 OF 2