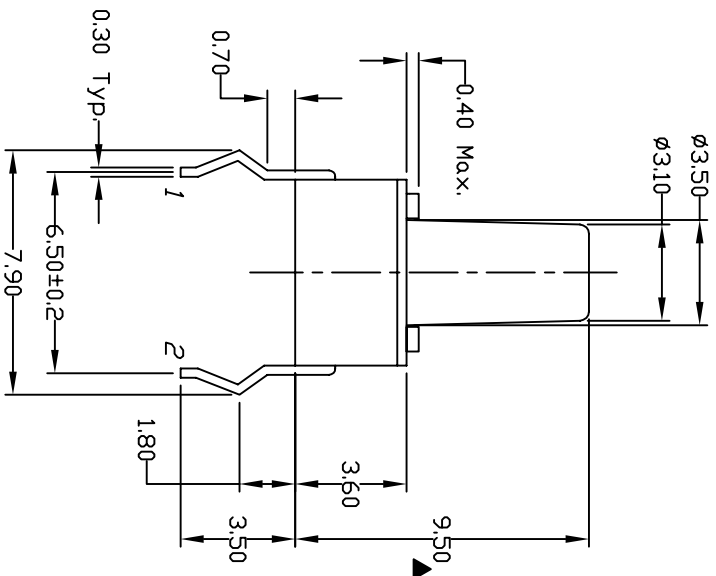
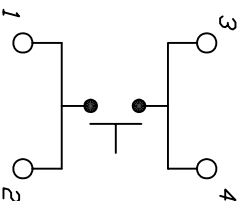
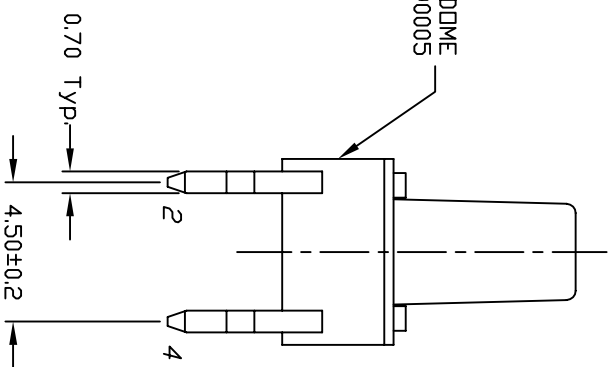


RECOMMEND P.C.B. LAYOUT

- NOTES:
1. ALL DIMENSIONS IN MM
 2. GENERAL TOLERANCE: 0.0=±0.4
0.00=±0.25
 3. TERM. NOS. FOR REF. ONLY
 4. RATING: 50mA, @12V DC
 5. TRAVEL: 0.25±0.1mm
 6. CONTACT RESISTANCE: 100m ohms max.
 7. ELECTRICAL LIFE: 100,000 CYCLES MIN.
 8. INSULATION RESISTANCE: 100M ohms min.
 9. DIELECTRIC STRENGTH: 250V RMS MIN.
 10. OPERATING TEMP.: -30°C to -85°C
 11. ▲ DENOTES CRITICAL PARAMETER
 12. CONTACTS: GOLD PLATE
 13. OPERATING FORCE 160±50 GRAMS



USE GOLD DOME
P990005



CIRCUIT: SPST

CONTACT CONFIGURATION



TL 1105B F160 R

B	15117	ADDED DOME P/N	8/12/05	PV
A	10423	RELEASED FOR PRODUCTION		
REV.	ECN No.	DESCRIPTION	DATE	CHKD

TITLE				
SCALE	DATE	DR	DWG	REV
4:1	11/10/99	MM	P010029	B

THE INFORMATION CONTAINED IN THIS DOCUMENT IS PROPRIETARY TO E-SWITCH AND IS NOT TO BE COPIED OR TRANSFERRED