

6

5

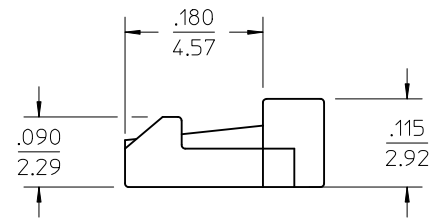
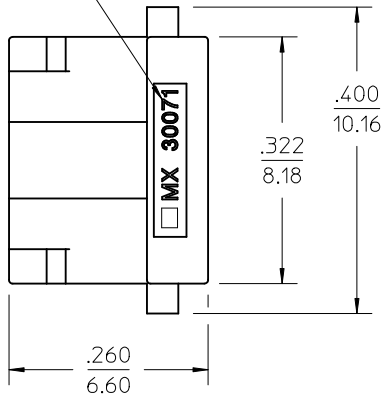
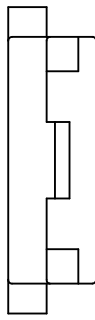
4

3

2

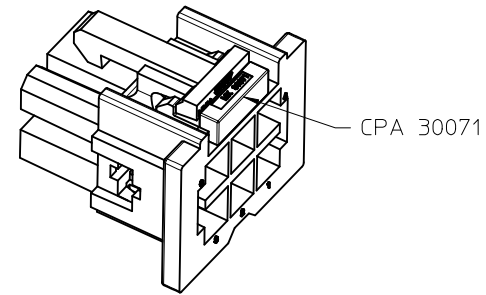
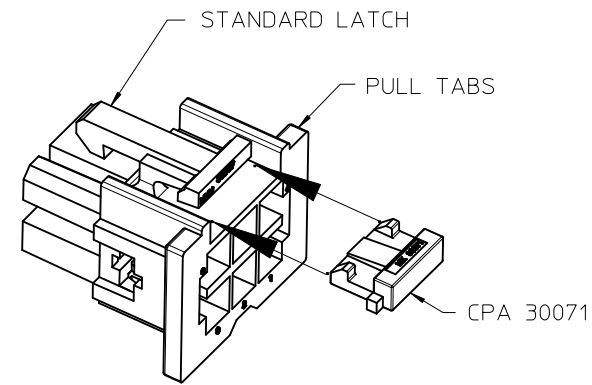
1

PART NO  
MOLEX ID  
CAVITY ID



NOTES:

- 1. MATERIAL: NYLON 6/6, 94V-2, COLOR: SEE CHART
- 2. FINISH: NOT APPLICABLE
- 3. PRODUCT SPEC: PS-5556-003
- 4. PACKAGING SPECIFICATION: PK-30071-0000
- 5. CPA FOR USE WITH ALL 30067 RECPT HOUSINGS AND SELECT 5557 RECPT HOUSINGS (5557 HSG MUST HAVE STANDARD LATCH AND PULL TABS AS SHOWN)



PART NO	ENG NO	COLOR:
15-97-0071	30071-0001	NATURAL
30071-0002	30071-0002	BLACK

ADD NOTE 4 EC NO: UCP2012-2732 DRWN: NGUYEN 2012/04/26 CHKD: APPR: FSMITH 2012/05/04 DESCRIPTION	REV	H2

GENERAL TOLERANCES (UNLESS SPECIFIED)		
	mm	INCH
4 PLACES	± .---	± .---
3 PLACES	± .---	± .010
2 PLACES	± 0.25	± .014
1 PLACE	± 0..35	± .---
ANGULAR ± 1/2°		
DRAFT WHERE APPLICABLE MUST REMAIN WITHIN DIMENSIONS		

DIMENSION STYLE IN/MM	
DRAWN BY KSAMIEC	DATE 2010/11/15
CHECKED BY	DATE
APPROVED BY JCOMERC I	DATE 2010/11/19
MATERIAL NO. SEE CHART	
SIZE A	

SCALE 4:1	DESIGN UNITS INCH	THIRD ANGLE PROJECTION
TITLE CONNECTOR POSITION ASSURANCE (CPA) FOR MINI-FIT T.P.A.		
MOLEX INCORPORATED		
MATERIAL NO. SD-30071-0000	DOCUMENT NO.	SHEET NO. 1 OF 1

5

4

3

2