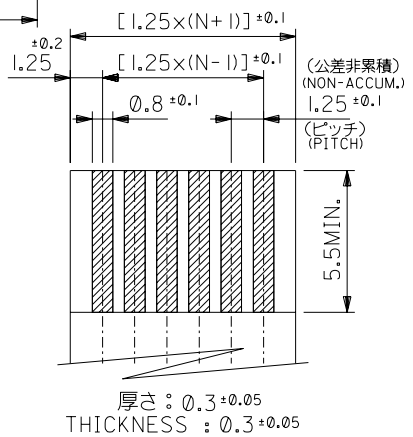
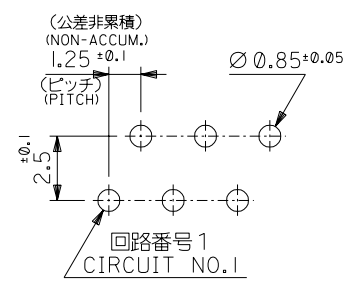
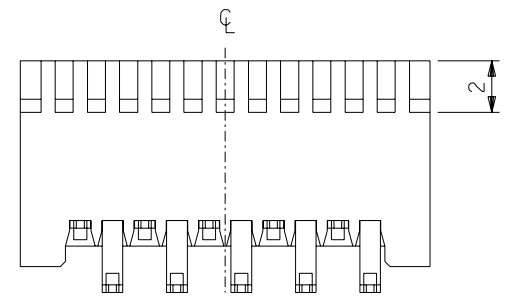
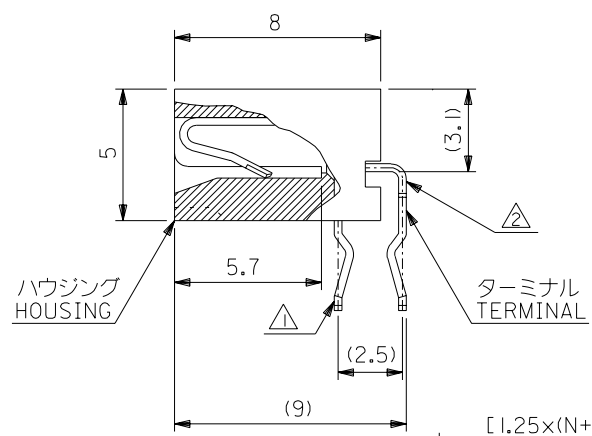
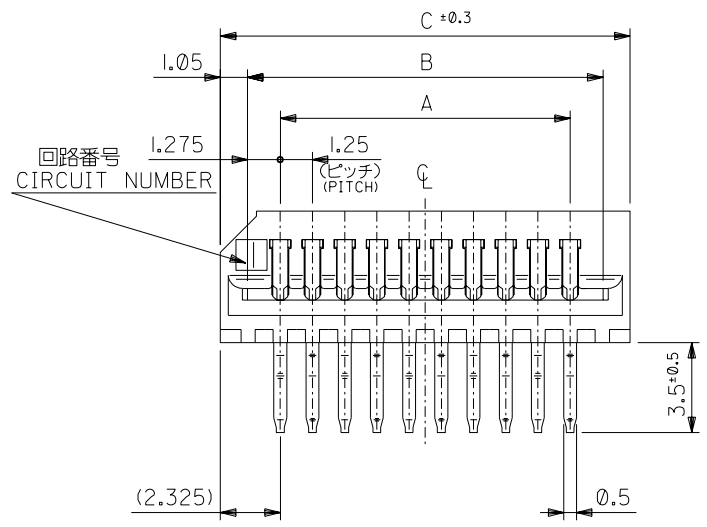


DWG. NO.
SD-52044-***45

無鉛
LEAD FREE



注記 NOTES

- △ 奇数極ソルダーテール。
ODD CIRCUIT SOLDER TAIL.
- △ 偶数極ソルダーテール。
EVEN CIRCUIT SOLDER TAIL.

3. 材質 MATERIAL

ターミナル: リン青銅 (t=0.3)
メッキ: 錫メッキ 0.9 μm 以上
リフロー処理
TERMINAL: PHOSPHOR BRONZE (t=0.3)
PLATING: Sn 0.9 μm MIN.
REFLOW TREATMENT.
ハウジング: PBTP, UL94V-0 (灰色)
HOUSING: PBTP, UL94V-0 (GRAY)

基板取付穴推奨寸法
RECOMMENDED P.C.BOARD HOLE DIM.
(厚さ: 1.6)
(THICKNESS: 1.6)

適合 FFC/FPC 推奨寸法
APPLICABLE FFC/FPC RECOMMENDED DIM.

| | | | | |
|-------|-------|-------|------------|----------------|
| 53.4 | 51.3 | 48.75 | 52044-4045 | 40 |
| 52.15 | 50.05 | 47.5 | ▲ -3945 | 39 |
| 50.9 | 48.8 | 46.25 | -3845 | 38 |
| 49.65 | 47.55 | 45 | -3745 | 37 |
| 48.4 | 46.3 | 43.75 | -3645 | 36 |
| 47.15 | 45.05 | 42.5 | -3545 | 35 |
| 45.9 | 43.8 | 41.25 | -3445 | 34 |
| 44.65 | 42.55 | 40 | -3345 | 33 |
| 43.4 | 41.3 | 38.75 | -3245 | 32 |
| 42.15 | 40.05 | 37.5 | -3145 | 31 |
| 40.9 | 38.8 | 36.25 | -3045 | 30 |
| 39.65 | 37.55 | 35 | -2945 | 29 |
| 38.4 | 36.3 | 33.75 | -2845 | 28 |
| 37.15 | 35.05 | 32.5 | -2745 | 27 |
| 35.9 | 33.8 | 31.25 | -2645 | 26 |
| 34.65 | 32.55 | 30 | -2545 | 25 |
| 33.4 | 31.3 | 28.75 | -2445 | 24 |
| 32.15 | 30.05 | 27.5 | -2345 | 23 |
| 30.9 | 28.8 | 26.25 | -2245 | 22 |
| 29.65 | 27.55 | 25 | -2145 | 21 |
| 28.4 | 26.3 | 23.75 | -2045 | 20 |
| 27.15 | 25.05 | 22.5 | -1945 | 19 |
| 25.9 | 23.8 | 21.25 | -1845 | 18 |
| 24.65 | 22.55 | 20 | -1745 | 17 |
| 23.4 | 21.3 | 18.75 | -1645 | 16 |
| 22.15 | 20.05 | 17.5 | -1545 | 15 |
| 20.9 | 18.8 | 16.25 | -1445 | 14 |
| 19.65 | 17.55 | 15 | -1345 | 13 |
| 18.4 | 16.3 | 13.75 | -1245 | 12 |
| 17.15 | 15.05 | 12.5 | -1145 | 11 |
| 15.9 | 13.8 | 11.25 | -1045 | 10 |
| 14.65 | 12.55 | 10 | -0945 | 9 |
| 13.4 | 11.3 | 8.75 | -0845 | 8 |
| 12.15 | 10.05 | 7.5 | -0745 | 7 |
| 10.9 | 8.8 | 6.25 | -0645 | 6 |
| 9.65 | 7.55 | 5 | -0545 | 5 |
| 8.4 | 6.3 | 3.75 | ▼ -0445 | 4 |
| 7.15 | 5.05 | 2.5 | 52044-0345 | 3 |
| C | B | A | ENG. NO. | NO. OF CKT. 極数 |

DIMENSIONS IN METRIC DO NOT SCALE DRAWING

| | | | | | | | |
|-------------------------|--------|----------------------|------------------------------------|--------------------|-------------------------------|--------------------------------|---|
| 単位 DESIGN UNITS | | mm | | | 材料 MATERIAL | 注記参照 SEE NOTES | molex MOLEX-JAPAN CO.,LTD. 日本モレックス株式会社 |
| 角度 ANGLE | ±3° | | | | 仕上げ FINISH | — — | |
| 30°以上 OVER | ±0.3 | C | 変更 REVISIED (J2003-1115) | K.Y. M.T '02/10/22 | 適用電線範囲 WIRE RANGE | — — | TITLE 名称 |
| 10°以上 30°未滿 UNDER | ±0.25 | B | 変更 REVISIED (J2002-1855) | K.Y. M.T '02/2/1 | 被覆外径 INS. RANGE | — — | 1.25 FFC CONN. HS'G ASS'Y R/A. TYPE |
| 未滿 10° UNDER | ±0.2 | A | 再作図&変更 (J50278) REDRAWN & REVISIED | T.A. H.H '95/4/24 | DRAWN BY '95/4/24 T.ASAKAWA | CHK'D BY '95/4/24 Y.M.HIRAMOTO | DWG. NO. |
| 一般公差 GENERAL TOLERANCES | 記号 LTR | 変更内容 REVISION RECORD | DR. CHK. | 日付 DATE | APP'D BY '95/4/24 M.FUKUSHIMA | 尺度 SCALE 5:1 | SD-52044-***45 |
| | | | | | | | REV C |