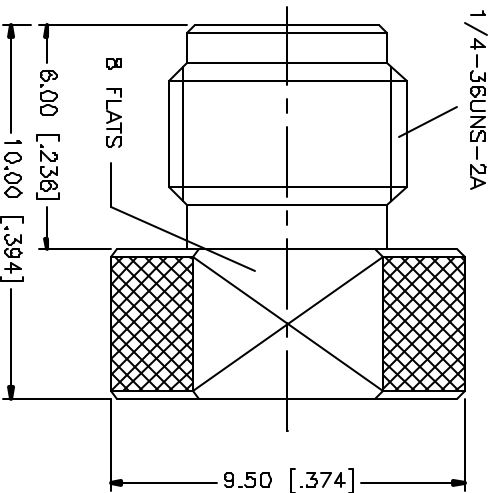


REV.	DATE	DESCRIPTION
NC	11/10/03	INITIAL RELEASE
A	07/31/04	UPDATE RESISTOR WATTAGE



QTY	FINISH	MATERIAL	DESCRIPTION
2	1 WATT - 1%	100R	RESISTOR
1	GOLD	BER, COPPER	CONTACT PIN
1	NATURAL	TEFLON	INSULATOR
1	GOLD	BRASS	BODY
			DESCRIPTION

APPROVALS	DATE
DESIGN G.R.S.	07/31/04
CHECKED	
ISSUED	
DRAWN	

APPROVALS	DATE
CAD FILE C:/132/132361.DWG	
BUILT 1 OF 1	

PART DESCRIPTION	PART NO.
Amphenol Connex	132361
SMA TERMINATOR JACK	
(50 ohm)	

DRAW. NO.	REV.	SIZE	SCALE
132361.DWG	A	A	NA

UNLESS OTHERWISE SPECIFIED, DIMENSIONS ARE IN MILLIMETERS. DIMENSIONS IN [] ARE IN INCHES AND ARE QUOTED FOR REFERENCE ONLY.

UNLESS OTHERWISE SPECIFIED, DIMENSIONS ARE TO BE HOUNDED UP.

D.S. - 8mm ± 0.20mm
 B - 50mm ± 0.40mm
 3D - 120mm ± 0.50mm

UNLESS OTHERWISE SPECIFIED, DIMENSIONS ARE TO BE HOUNDED UP.

2020 - .315 ± 0.007"
 .315 - 1.180 ± 0.019"
 1.180 - 4.724 ± 0.020"

DO NOT SCALE DRAWING