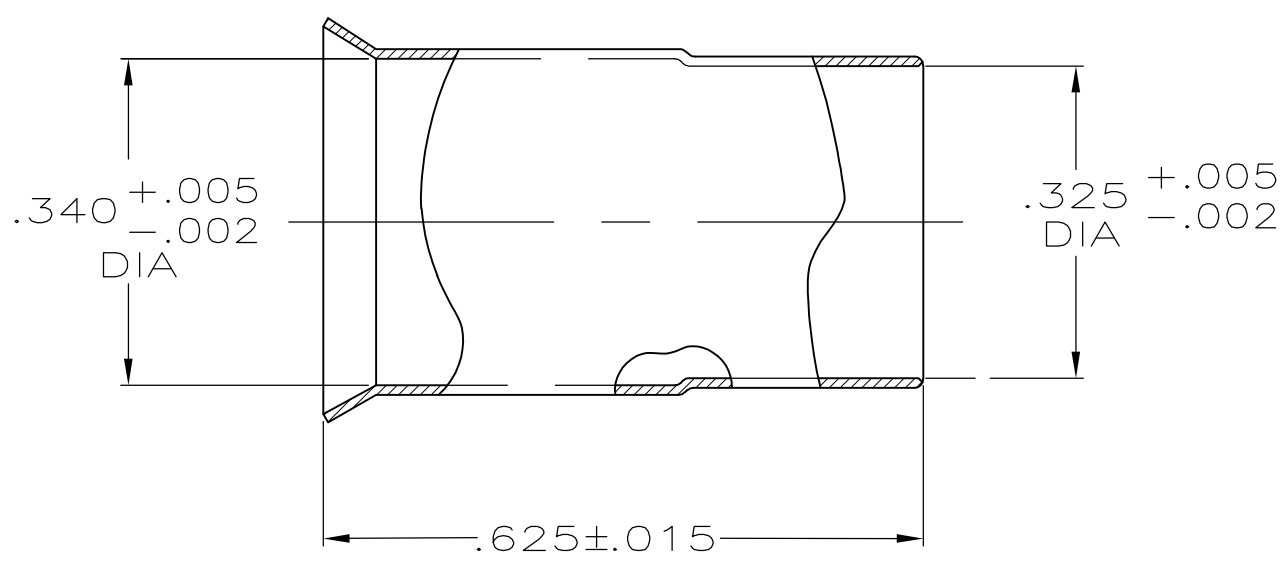


THIS DRAWING IS UNPUBLISHED. RELEASED FOR PUBLICATION
 © COPYRIGHT BY TYCO ELECTRONICS CORPORATION. ALL RIGHTS RESERVED.

LOC	DIST	REVISIONS					
		P	LTR	DESCRIPTION	DATE	DWN	APVD
AJ	16		G	REVISED PER ECO-10-008433	22MAY10	HMR	KW



- △₁ COPPER ALLOY.
- △₂ TIN-LEAD PLATE PER ASTM-B-545, 2.54μm [.000100] MIN THICKNESS, WITH SUPPLEMENTAL ANTI FRETTING LUBRICANT.
- △₃ TIN PLATE PER ASTM-B-545, 2.54μm [.000100] MIN THICKNESS, WITH SUPPLEMENTAL ANTI FRETTING LUBRICANT.

SUPERCEDED BY	FINISH	PART NUMBER
9-331256-0	△ ₃	9-331256-1
	△ ₃	9-331256-0
	-	1-331256-4
	△ ₁	1-331256-0
	△ ₂	331256

THIS DRAWING IS A CONTROLLED DOCUMENT.		DWN M. SNEED 24SEP82	Tyco Electronics Corporation Harrisburg, Pa 17105-3608		
DIMENSIONS: INCHES		CHK D. SMITH 12OCT82	NAME FERRULE, STEPDOWN		
TOLERANCES UNLESS OTHERWISE SPECIFIED:		APVD M. SNEED 12OCT82	PRODUCT SPEC		
0 PLC ± - 1 PLC ± - 2 PLC ± - 3 PLC ± - 4 PLC ± - ANGLES ± -		APPLICATION SPEC	RESTRICTED TO		
MATERIAL △ ₁	FINISH △ ₂ △ ₃	WEIGHT -	SIZE A3	CAGE CODE 00779	DRAWING NO G-331256
CUSTOMER DRAWING			SCALE 4:1	SHEET 1 OF 1	REV G