

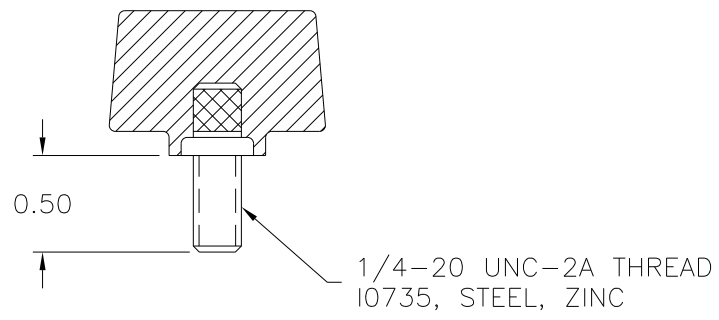
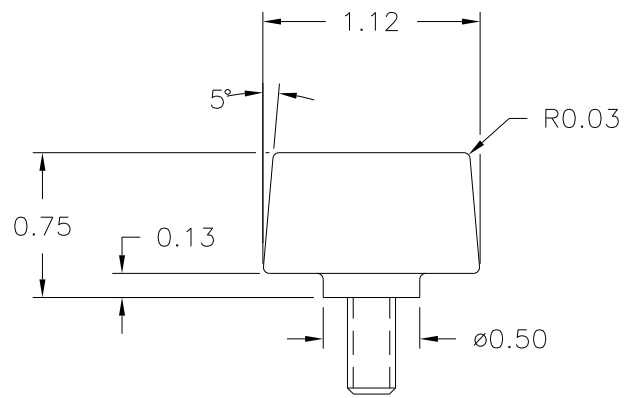
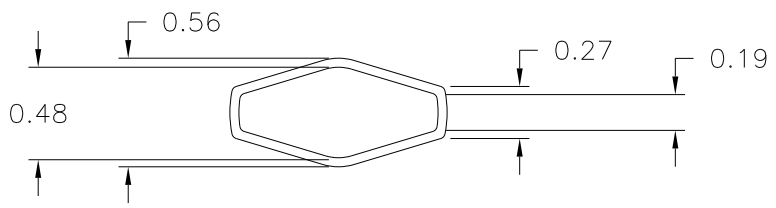
PART NAME: KNOB      SCALE: 1:1      DATE: 7/16/85      DR. BY HD

THIS DRAWING IS THE PROPERTY OF DAVIES MOLDING COMPANY, IS SUBMITTED SOLELY AS A DESIGN OR ENGINEERING PROJECT. WE ACCEPT NO RESPONSIBILITY WHATSOEVER FOR THE PRACTICAL APPLICATION OF THE PIECES MADE TO THIS DESIGN.



DESIGNERS & MANUFACTURERS OF KNOBS, HANDLES, CASES & CUSTOM PLASTIC COMPONENTS

P/N	3085-R
M NO.	0030
CAVITY	3085
PLUNGER	3085
SHIMS	1/4+1/4(30-J)
PIN	3085-R
INSERT	I0735
PLUNGER KEY	1/4x1/8x7/8
CAVITY KEY	1/4x1/8x7/8



ⓑ MATERIAL: #2308 PHENOLIC (B08)  
COLOR: BLACK

TOLERANCES: UNLESS OTHERWISE SPECIFIED	DO NOT SCALE DRAWING	B	WAS G.P. PHENOLIC	JAM	7/8/16
		A	WAS 3025-1	JAM	7/22/14
DECIMALS: X.XXX ± .005 X.XX ± .015	MM: X.XX ± 0.15MM X.X ± 0.4MM	-	REDRAW	JAM	3/15/02
		-	CAD/REDRAWN	HD	4/21/93
FRACTIONS ± 1/64	ANG. ± 1°	CHANGES			