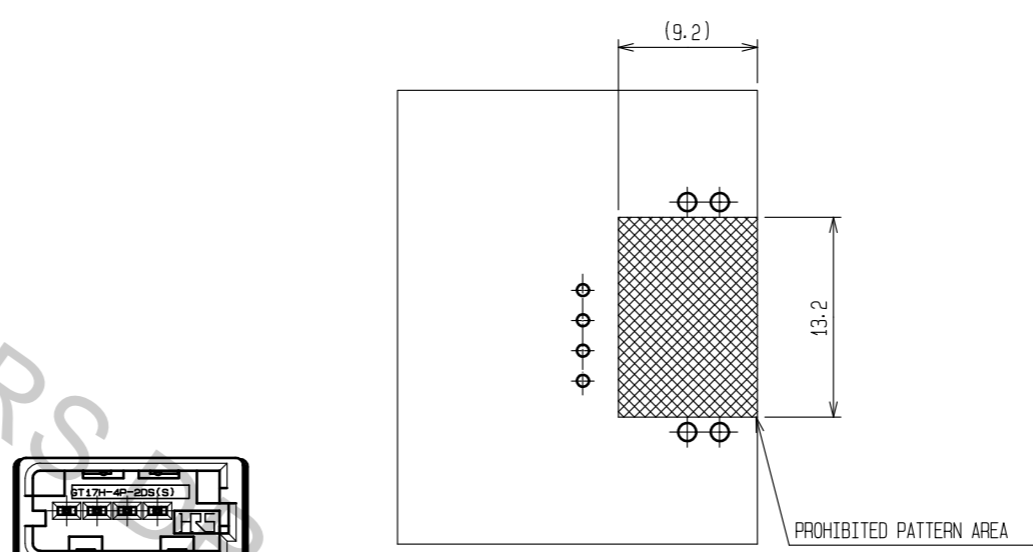
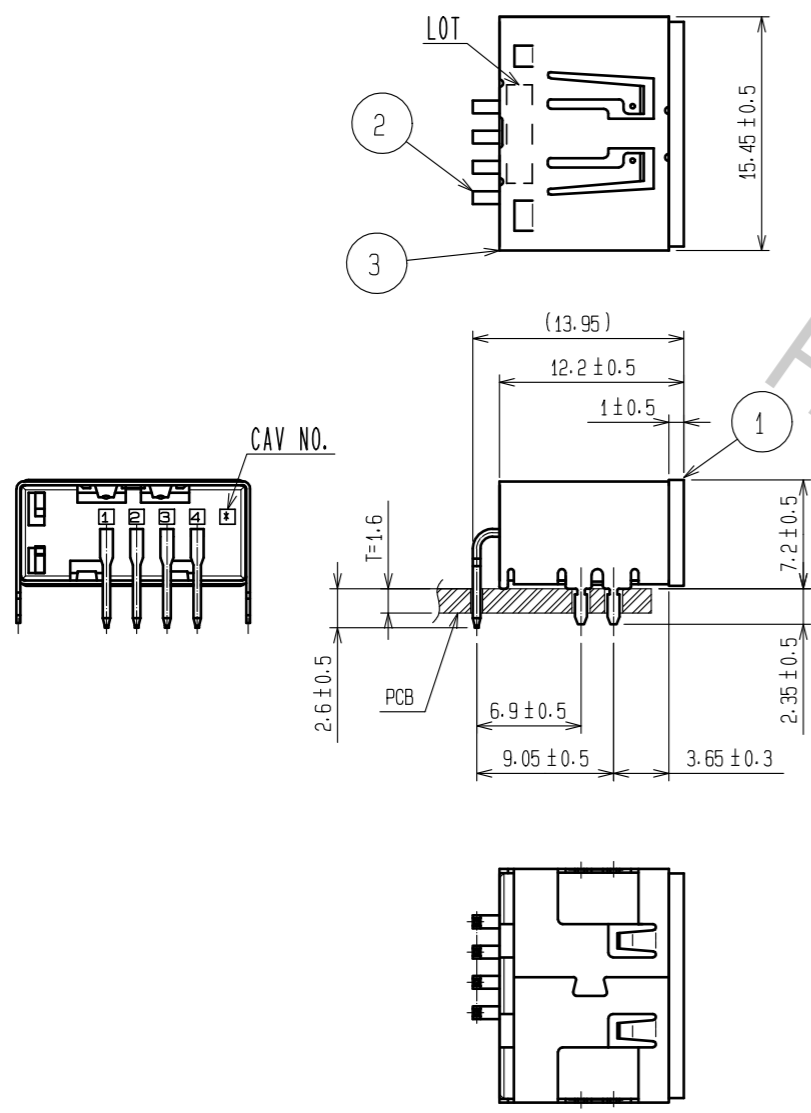
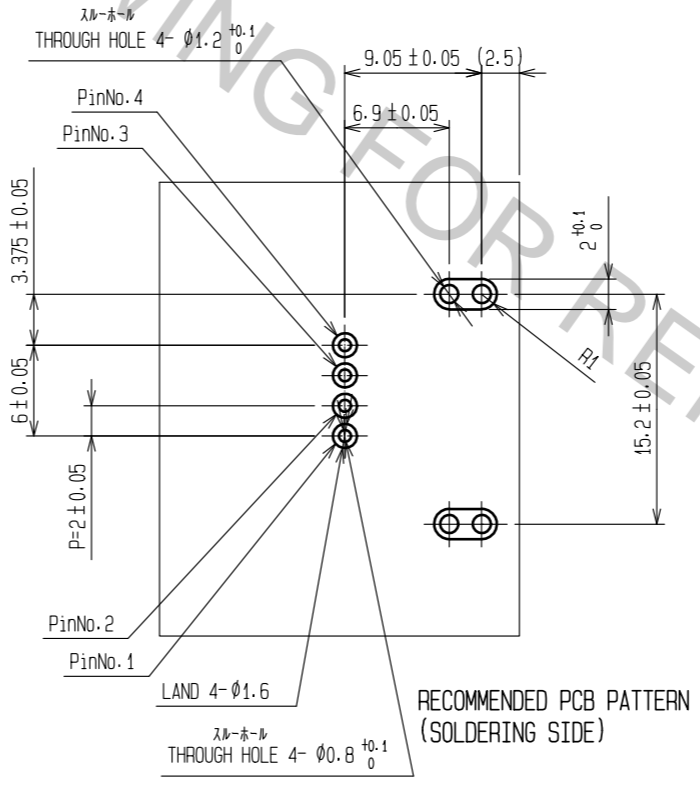


Aug.1.2018 Copyright 2018 HIROSE ELECTRIC CO., LTD. All Rights Reserved.  
 In case that the application demands a high level of reliability, such as automotive,  
 please contact a company representative for further information.

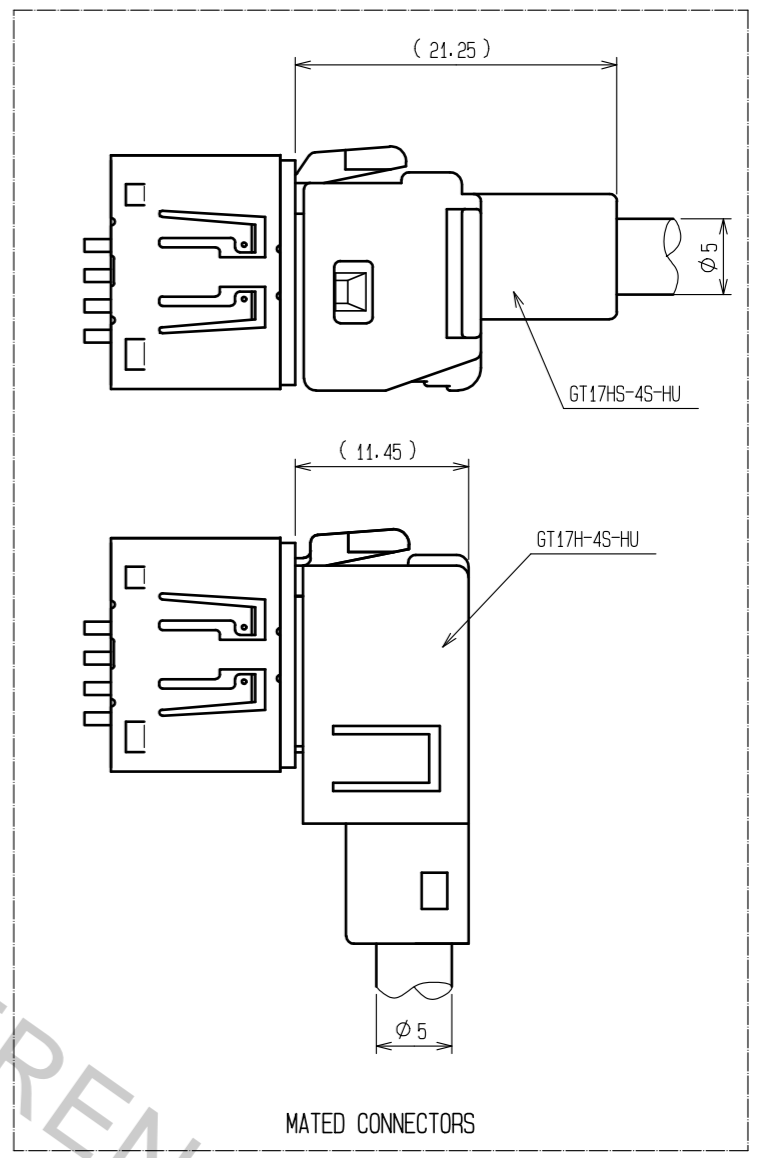
RoHS, ELV COMPLIANT



RECOMMENDED PCB PATTERN  
(CONNECTOR SIDE)



RECOMMENDED PCB PATTERN  
(SOLDERING SIDE)



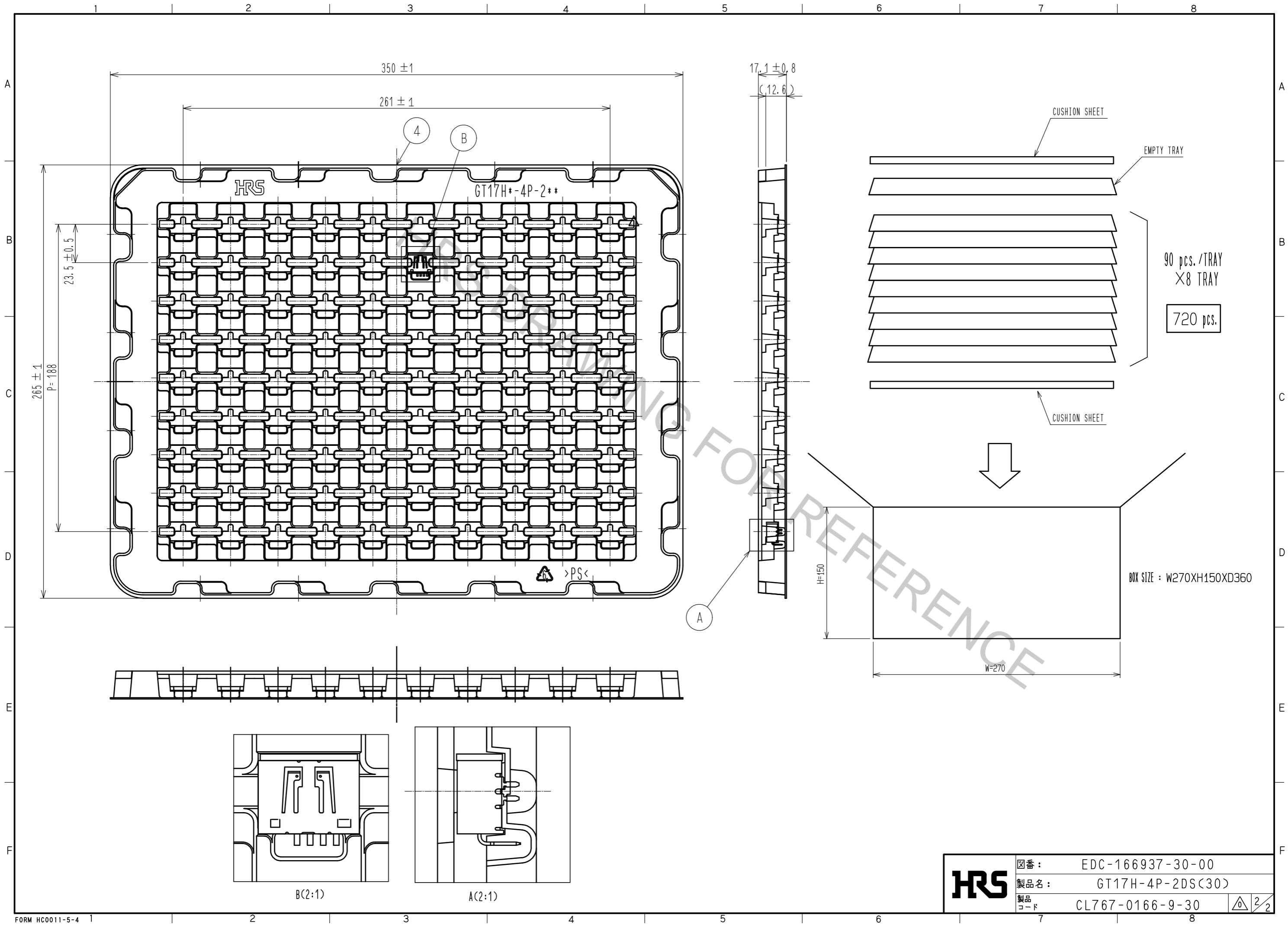
MATED CONNECTORS

NOTE1. APPLICABLE CONNECTOR : GT17H-4S-HU  
 GT17HS-4S-HU

2. APPLICABLE PC BOARD : T=1.6mm

2	BRASS	TIN PLATING	4	PS	NATURAL		
1	PPS	LIGHT GRAY	3	COPPER ALLOY	TIN PLATING		
NO.	MATERIAL	FINISH . REMARKS	NO.	MATERIAL	FINISH . REMARKS		
UNITS mm		SCALE 2 : 1	COUNT 	DESCRIPTION OF REVISIONS	DESIGNED	CHECKED	DATE
<b>HRS</b> HIROSE ELECTRIC CO., LTD.		APPROVED : NH. NAKATA	15.09.10	DRAWING NO.	EDC-166937-30-00		
		CHECED : NH. NAKATA	15.09.10	PART NO.	GT17H-4P-2DS(30)		
		DESIGNED : TK. SUZUKI	15.09.09	CODE NO.	CL767-0166-9-30		
		DRAWN : TK. SUZUKI	15.09.09				

Aug.1.2018 Copyright 2018 HIROSE ELECTRIC CO., LTD. All Rights Reserved.  
 In case that the application demands a high level of reliability, such as automotive,  
 please contact a company representative for further information.



BOX SIZE : W270XH150XD360

<b>HRS</b>	図番:	EDC-166937-30-00		2/2
	製品名:	GT17H-4P-2DS(30)		
	製品コード:	CL767-0166-9-30		