



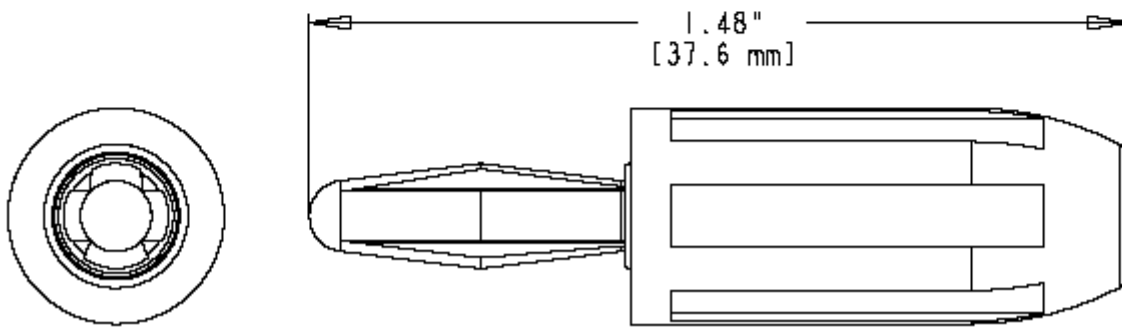
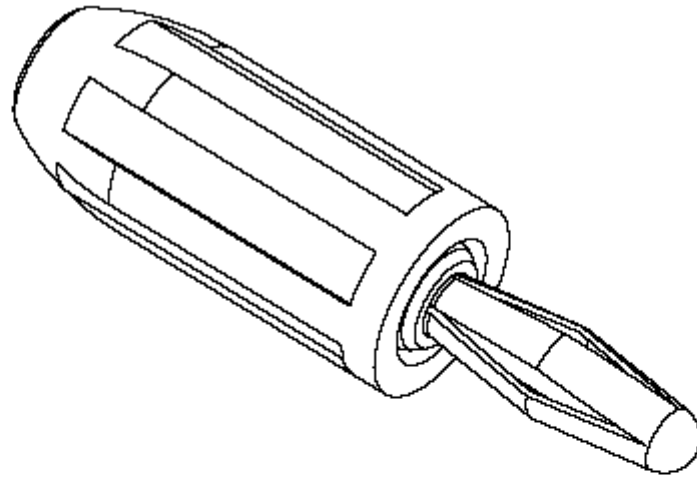
**Part Number:** BU-00246-\*

**Description:**

2907

**BU-00246-\***

**Tapered Handle Banana Plug**



- Tapered Handle Banana Plug
- Material: Banana Plug: nickel-plated brass body; Spring: nickel-plated phosphor bronze; Insulator: ABS
- Length: 1.48"(37.6 mm)
- \*Std. Colors: -0 Black -2 Red
- Rating: 15 Amps, Hands free testing to 1000V.