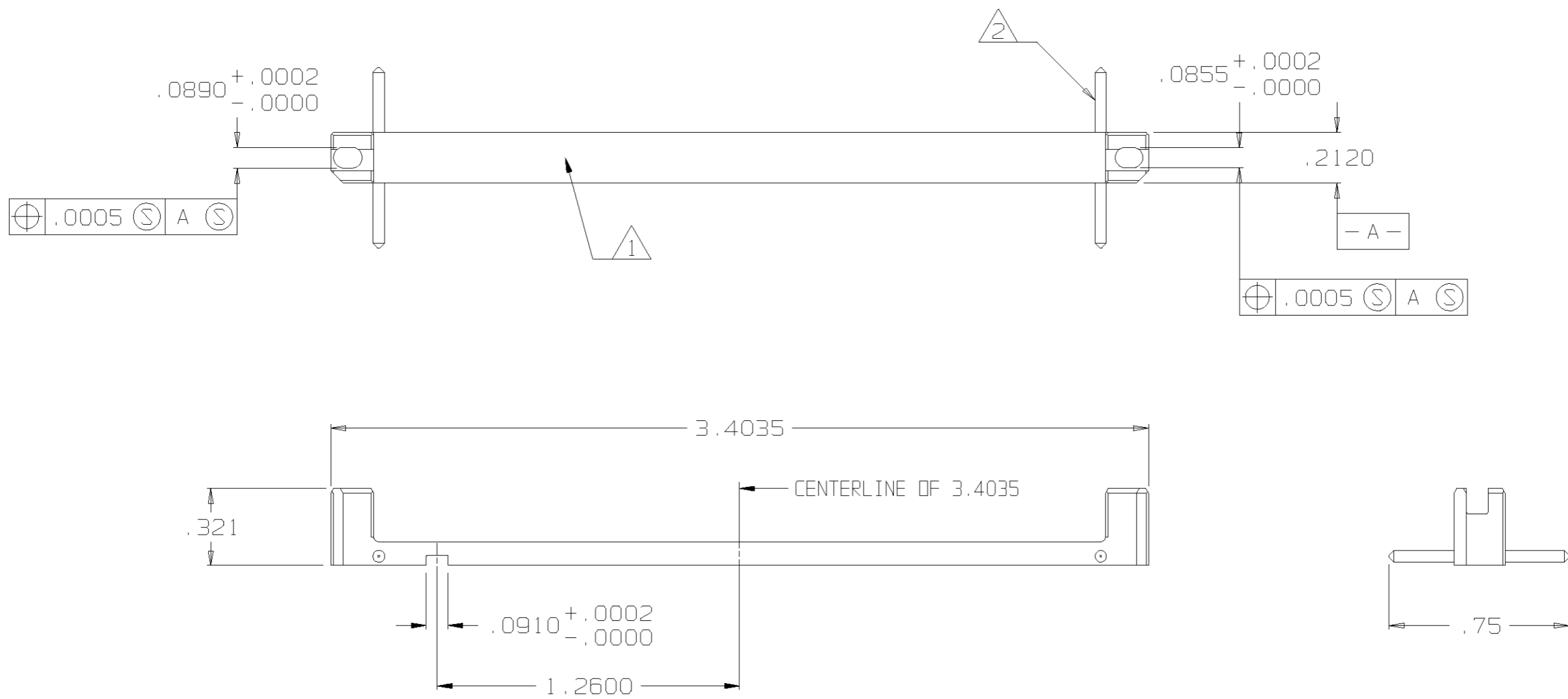


THIS DRAWING IS UNPUBLISHED. RELEASED FOR PUBLICATION .19 .
 © COPYRIGHT 19 BY AMP INCORPORATED. ALL RIGHTS RESERVED.

LOC	DIST	REVISIONS			
P	LTR	DESCRIPTION	DATE	DWN	APVD
AD	47	0	RELEASED	5-24-99	JG SS



1 PART NUMBER MARKED IN AREA INDICATED.
 2 END CAPS APPLIED TO PINS NOT SHOWN.

767681-1
 PART NUMBER

THIS DRAWING IS A CONTROLLED DOCUMENT.		DWN	J. GERACE	5-24-99	AMP AMP Incorporated Harrisburg, PA 17105-3608												
DIMENSIONS: INCHES		CHK	S. STRICKLER	5-24-99													
TOLERANCES UNLESS OTHERWISE SPECIFIED:		APVD	A. MONK	5-24-99													
<table border="0"> <tr><td>0 PLC</td><td>±-</td></tr> <tr><td>1 PLC</td><td>±-</td></tr> <tr><td>2 PLC</td><td>±.01</td></tr> <tr><td>3 PLC</td><td>±.005</td></tr> <tr><td>4 PLC</td><td>±.0005</td></tr> <tr><td>ANGLES</td><td>±-</td></tr> </table>		0 PLC	±-	1 PLC	±-	2 PLC	±.01	3 PLC	±.005	4 PLC	±.0005	ANGLES	±-	PRODUCT SPEC		NAME	
0 PLC	±-																
1 PLC	±-																
2 PLC	±.01																
3 PLC	±.005																
4 PLC	±.0005																
ANGLES	±-																
MATERIAL STAINLESS STEEL		FINISH		-													
		APPLICATION SPEC		-													
		WEIGHT		-													
		CUSTOMER DRAWING		SIZE	A3												
				CAGE CODE	00779												
				DRAWING NO	©-767681												
				SCALE	2:1												
				SHEET	1 OF 1												
				REV	0												