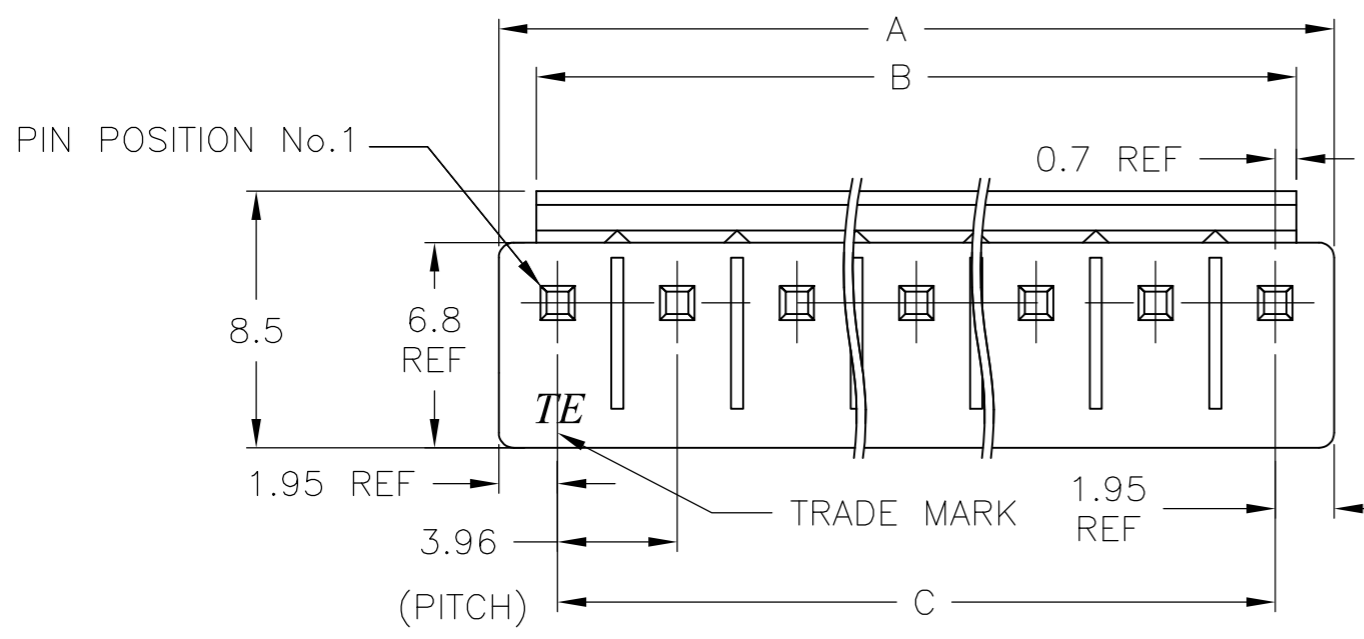


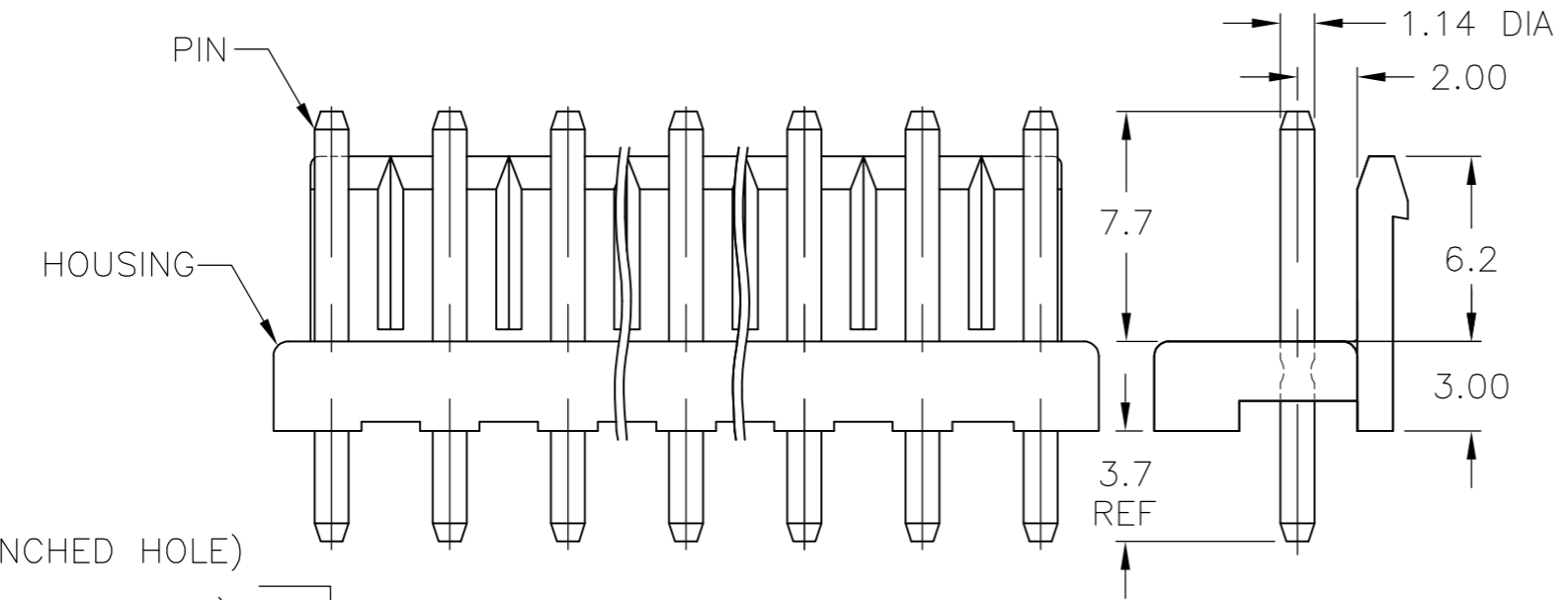
THIS DRAWING IS UNPUBLISHED. RELEASED FOR PUBLICATION
 © COPYRIGHT - By - ALL RIGHTS RESERVED.

LOC	DIST	REVISIONS			
P	LTR	DESCRIPTION	DATE	DWN	APVD
J	-	E1	REVISED PER ECR-15-015434	02NOV15	O.C D.Z

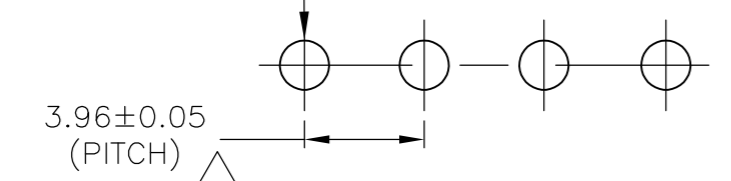


- 1 MATING CONN P/N: -1123722-
- 2 APPLICABLE P.C.B LAYOUT: SEE FIG. 1
- 3 APPLICABLE P.C.B THICKNESS: 1.60
- 4 SKETCHES SHOW NO CONTACTS MISSING.

SEE NOTE 5 THRU 9 ON SHEET 2



$\phi 1.60^{+0.1}_{-0.0}$ (PUNCHED HOLE)
 $\phi 1.65^{+0.1}_{-0.0}$ (DRILLED HOLE)



4
 2 FIG. 1

THIS DRAWING IS A CONTROLLED DOCUMENT.		DWN 12JUN2014 NAGALAKSHMI K		TE Connectivity	
DIMENSIONS: mm		CHK 12JUN2014 SEILHAMER, MALACHI			
TOLERANCES UNLESS OTHERWISE SPECIFIED:		APVD 12JUN2014 SEILHAMER, MALACHI		NAME ECONOMY POWER (EP) CONN HEADER ASSY 3.96MM PITCH SPECIAL	
0 PLC ± 0.5 1 PLC ± 0.5 2 PLC ± 0.30 3 PLC ± 4 PLC ± ANGLES ±		PRODUCT SPEC 108-5609		SIZE A3	
MATERIAL -		FINISH -		CAGE CODE MS	
		APPLICATION SPEC -		DRAWING NO C-1717011	
		WEIGHT -		RESTRICTED TO -	
CUSTOMER DRAWING				SCALE -	SHEET 1 OF 2
				REV E1	

THIS DRAWING IS UNPUBLISHED.

RELEASED FOR PUBLICATION

LOC

DIST

REVISIONS

© COPYRIGHT - By -

ALL RIGHTS RESERVED.

J

-

P

LTR

DESCRIPTION

DATE

DWN

APVD

SEE SHEET 1



COMPLY WITH GLOW WIRE REQUIREMENTS FOR PARTS OF NON-METALIC MATERIAL SUPPORTING A CURRENT CARRYING CONNECTION DETAILED IN IEC 60335-1 SECTION 30 (GWT [GLOW WIRE TEST]) 750° SPEC.



PIN: MATERIAL: BRASS FINISH: POST TIN



HOUSING: PBT, UL94-V0



HOUSING: NYLON, UL94-V2



O : WITH PIN X : WITHOUT PIN

NO	7	1	2	3	4	5	6	7	8	9	10	11	C	B	A	COLOR	POS	PART NUMBER	
NO	7	○	○	×	○	○	-	-	-	-	-	-	-	15.84	17.24	19.74	BLACK	5	8-1717011-4
YES	8	○	○	×	×	○	-	-	-	-	-	-	-	15.84	17.24	19.74	NATURAL	5	8-1717011-3
		○	○	○	○	×	○	-	-	-	-	-	-	19.80	21.20	23.70	NATURAL	6	7-1717011-5
NO	7	○	×	○	○	○	-	-	-	-	-	-	-	15.84	17.24	19.74	YELLOW	5	7-1717011-4
YES	8	○	×	○	○	×	-	-	-	-	-	-	-	11.88	17.24	19.74	NATURAL	5	7-1717011-3
NO	7	○	×	○	○	○	-	-	-	-	-	-	-	19.80	21.20	23.70	BLUE	6	6-1717011-5
		○	×	○	○	○	-	-	-	-	-	-	-	15.84	17.24	19.74	GREEN	5	6-1717011-4
		○	○	○	○	×	○	-	-	-	-	-	-	19.80	21.20	23.70	GREEN	6	5-1717011-5
		○	×	○	○	○	-	-	-	-	-	-	-	15.84	17.24	19.74	BLACK	5	5-1717011-4
		○	○	×	×	○	-	-	-	-	-	-	-	15.84	17.24	19.74	NATURAL	5	5-1717011-3
		○	○	○	○	×	○	-	-	-	-	-	-	19.80	21.20	23.70	BLACK	6	4-1717011-5
		○	×	○	○	○	-	-	-	-	-	-	-	15.84	17.24	19.74	RED	5	4-1717011-4
		○	×	○	○	×	-	-	-	-	-	-	-	11.88	17.24	19.74	NATURAL	5	4-1717011-3
		○	○	○	○	×	○	-	-	-	-	-	-	19.80	21.20	23.70	RED	6	3-1717011-5
YES	8	○	○	○	×	○	-	-	-	-	-	-	15.84	17.24	19.74	NATURAL	5	3-1717011-1	
NO	7	○	○	○	○	×	○	-	-	-	-	-	-	19.80	21.20	23.70	YELLOW	6	2-1717011-5
		○	○	×	○	○	-	-	-	-	-	-	-	15.84	17.24	19.74	NATURAL	5	2-1717011-4
YES	8	○	○	×	○	○	-	-	-	-	-	-	15.84	17.24	19.74	NATURAL	5	2-1717011-1	
NO	7	○	○	○	○	×	○	-	-	-	-	-	-	19.80	21.20	23.70	NATURAL	6	1-1717011-5
		○	×	○	○	○	-	-	-	-	-	-	-	15.84	17.24	19.74	NATURAL	5	1-1717011-4
YES	8	○	×	○	○	○	-	-	-	-	-	-	15.84	17.24	19.74	NATURAL	5	1-1717011-1	
GWT 5	HOUSING MATERIAL	1	2	3	4	5	6	7	8	9	10	11	C	B	A				

THIS DRAWING IS A CONTROLLED DOCUMENT.

DWN 12JUN2014 NAGALAKSHMI K
 CHK 12JUN2014 SEILHAMER, MALACHI
 APVD 12JUN2014 SEILHAMER, MALACHI

NAME: ECONOMY POWER (EP) CONN HEADER ASSY 3.96MM PITCH SPECIAL

PRODUCT SPEC: 108-5609

APPLICATION SPEC: -

SIZE: A3 CAGE CODE: MS DRAWING NO: C-1717011 RESTRICTED TO: -

WEIGHT: -

CUSTOMER DRAWING SCALE: - SHEET: 2 OF 2 REV: E1

STE TE Connectivity

DIMENSIONS: mm	TOLERANCES UNLESS OTHERWISE SPECIFIED:
	0 PLC ± 0.5
	1 PLC ± 0.5
	2 PLC ± 0.30
	3 PLC ±
	4 PLC ±
	ANGLES ±
MATERIAL: -	FINISH: -