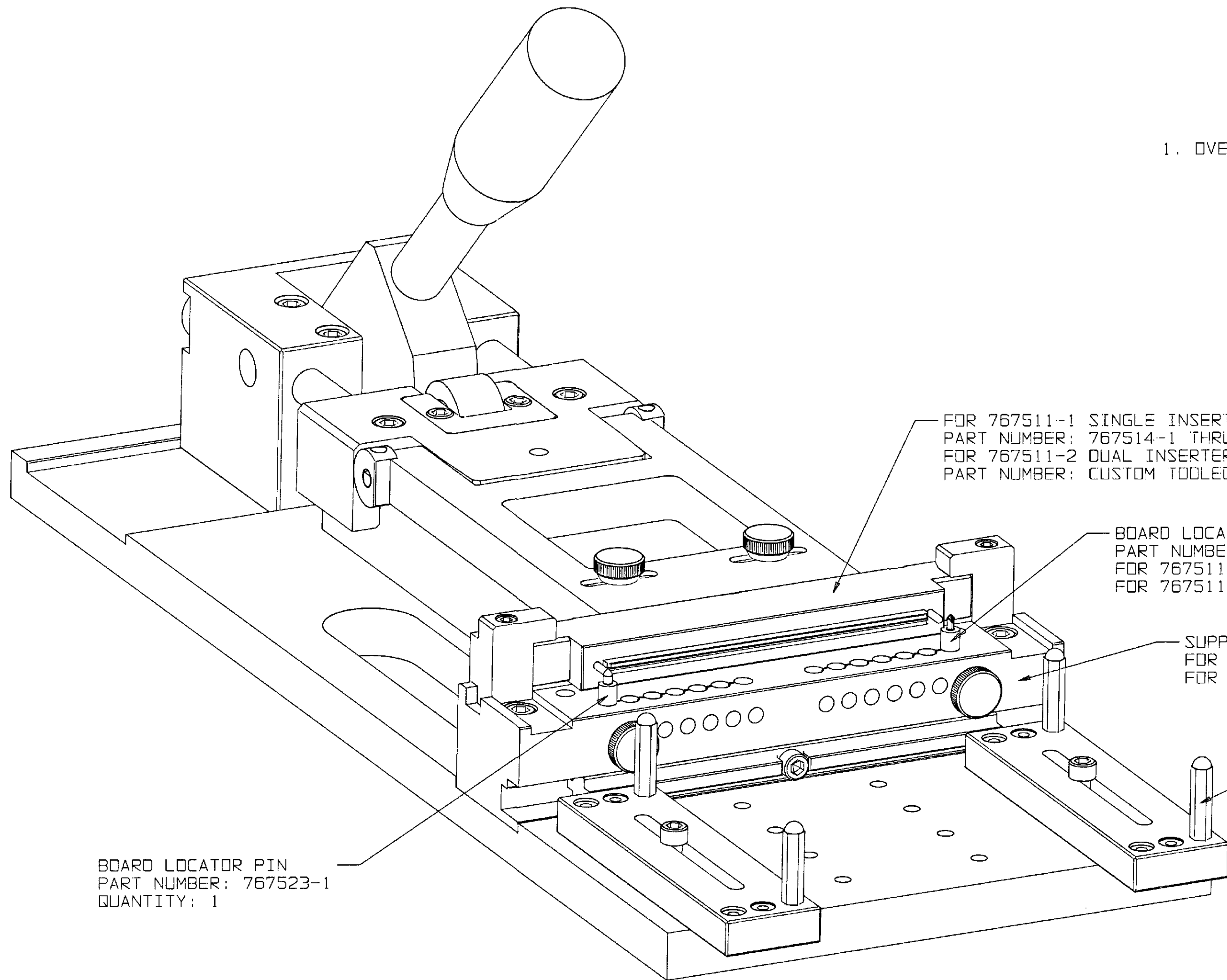


THIS DRAWING IS UNPUBLISHED. RELEASED FOR PUBLICATION .19
 © COPYRIGHT 19 BY AMP INCORPORATED. ALL RIGHTS RESERVED.

LOC	DIST	REVISIONS			
P	LTR	DESCRIPTION	DATE	OWN	APVD
AD	47	B	REDRAWN PER EC 0430-0037-97	6-13-97	JG DM



1. OVERALL DIMENSIONS: L - 16.1, W - 6.0, H - 8.3.

FOR 767511-1 SINGLE INSERTER (SOLD SEPARATELY)
 PART NUMBER: 767514-1 THRU -8
 FOR 767511-2 DUAL INSERTER (SOLD SEPARATELY)
 PART NUMBER: CUSTOM TOOLED

BOARD LOCATOR PIN, DIAMOND HEAD
 PART NUMBER: 767526-1
 FOR 767511-1 QUANTITY: 1
 FOR 767511-2 QUANTITY: 2

SUPPORT BLOCK
 FOR 767511-1 INCLUDED
 FOR 767511-2 SOLD SEPARATELY

SUPPORT PILLAR
 PART NUMBER: 767522-1
 QUANTITY: 4

BOARD LOCATOR PIN
 PART NUMBER: 767523-1
 QUANTITY: 1

DUAL APPLICATION	767511-2
SINGLE APPLICATION	767511-1
DESCRIPTION	PART NUMBER

THIS DRAWING IS A CONTROLLED DOCUMENT.		DWN J. GERACE 8-13-97	AMP AMP Incorporated Harrisburg, PA 17105-3608
DIMENSIONS: INCHES		CHK D. MCKNIGHT 8-13-97	
TOLERANCES UNLESS OTHERWISE SPECIFIED:		APVD A. MONK 8-13-97	NAME APPLICATION TOOL, RIGHT ANGLE CONNECTOR, MICTOR
0 PLC ±. 1 PLC ±. 2 PLC ±. 3 PLC ±. 4 PLC ±. ANGLES ±.		PRODUCT SPEC -	SIZE A2
MATERIAL -		FINISH -	CAGE CODE 00779
		WEIGHT -	DRAWING NO C-767511
		CUSTOMER DRAWING	SCALE - SHEET 1 of 1 REV B

767511

B

A