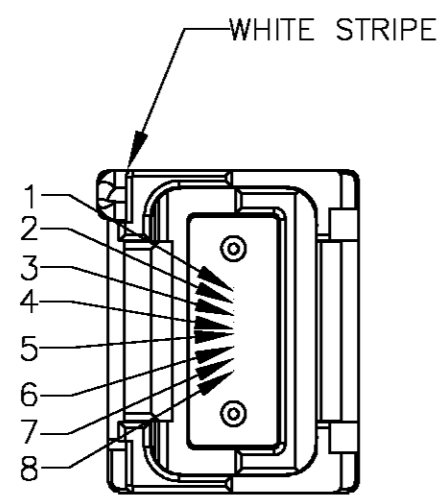
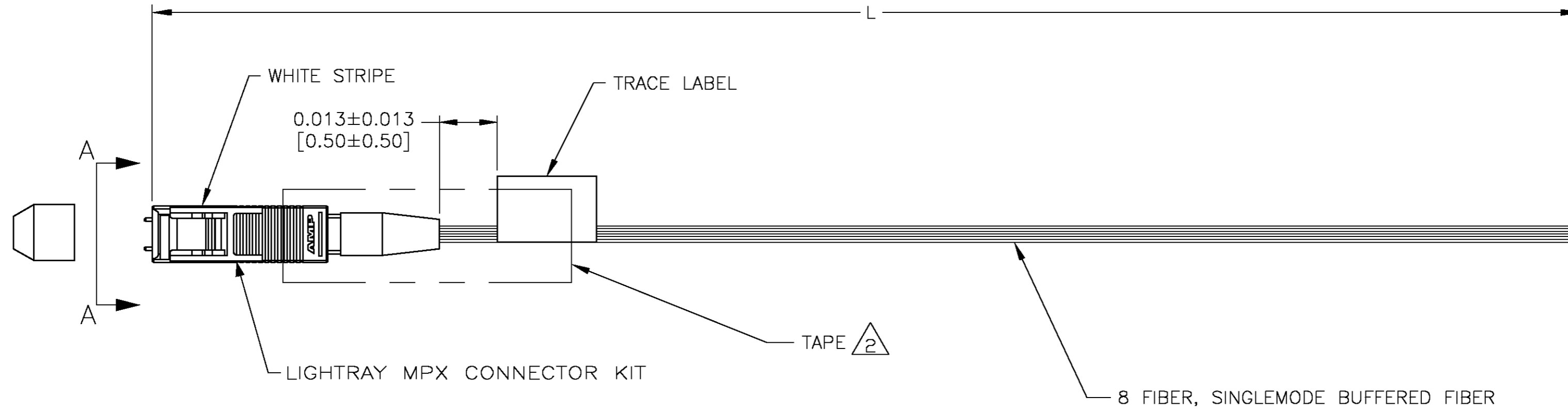


THIS DRAWING IS UNPUBLISHED. RELEASED FOR PUBLICATION .19
 © COPYRIGHT 19 BY AMP INCORPORATED. ALL RIGHTS RESERVED.

LOC	DIST	REVISIONS			
P	LTR	DESCRIPTION	DATE	DWN	APVD
CE	17	A	REV PER 0A40-0032-03	11FEB03	JWD JB

- MAXIMUM INSERTION LOSS: 1.0 dB
- △ PART SHIPPED WITH PIECE OF TAPE TO HOLD FIBER BUFFERS IN PLACE. TAPE TO BE REMOVED AFTER TERMINATING BUFFERED FIBER END OF ASSEMBLY.



FIBER #	COLOR
1	BLUE
2	ORANGE
3	GREEN
4	BROWN
5	SLATE
6	WHITE
7	RED
8	BLACK

LIGHTRAY MPX CONNECTOR FIBER PATH

2.000±0.051 [78.74±2.00]	1374538-2
1.000±0.051 [39.37±2.00]	1374538-1
L	PART NUMBER

THIS DRAWING IS A CONTROLLED DOCUMENT.		DWN C.KRAYBILL 27APR00	AMP Incorporated Harrisburg, PA 17105-3608	
DIMENSIONS: METERS [INCHES]		CHK J.SHIPE 24APR00	NAME M.KEPKO	
TOLERANCES UNLESS OTHERWISE SPECIFIED: 0 PLC ± - 1 PLC ± - 2 PLC ± - 3 PLC ± - 4 PLC ± - ANGLES ± - FINISH -		APVD M.KEPKO 24APR00	PRODUCT SPEC APPLICATION SPEC	
MATERIAL	WEIGHT	SIZE A2	CAGE CODE 00779	DRAWING NO C=1374538
CUSTOMER DRAWING		SCALE NTS	SHEET 1	OF 1
		REV A	RESTRICTED TO	