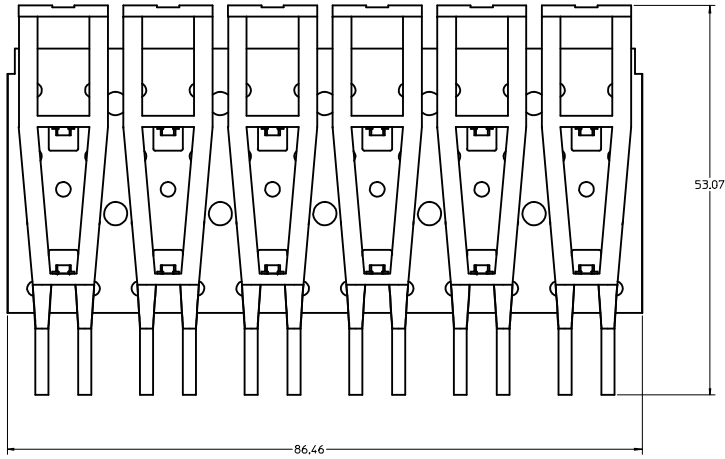
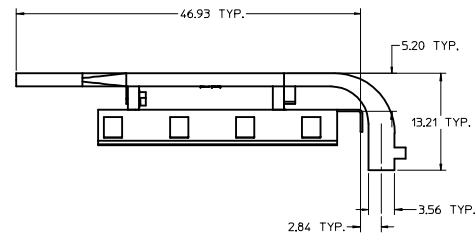
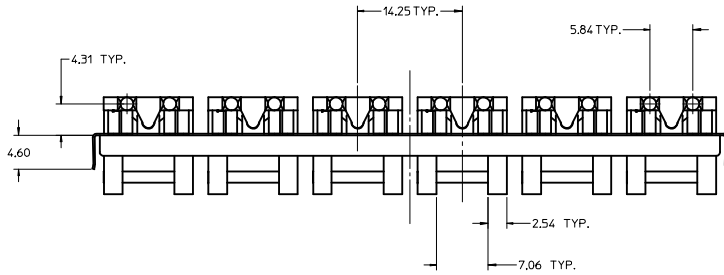
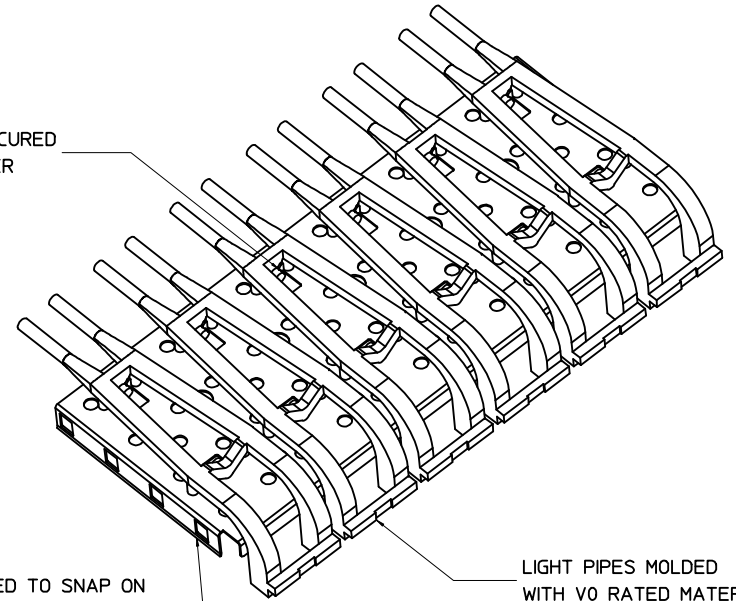


3D MODEL: EM-74748-001-ASSY



LIGHT PIPES SECURED TO METAL COVER



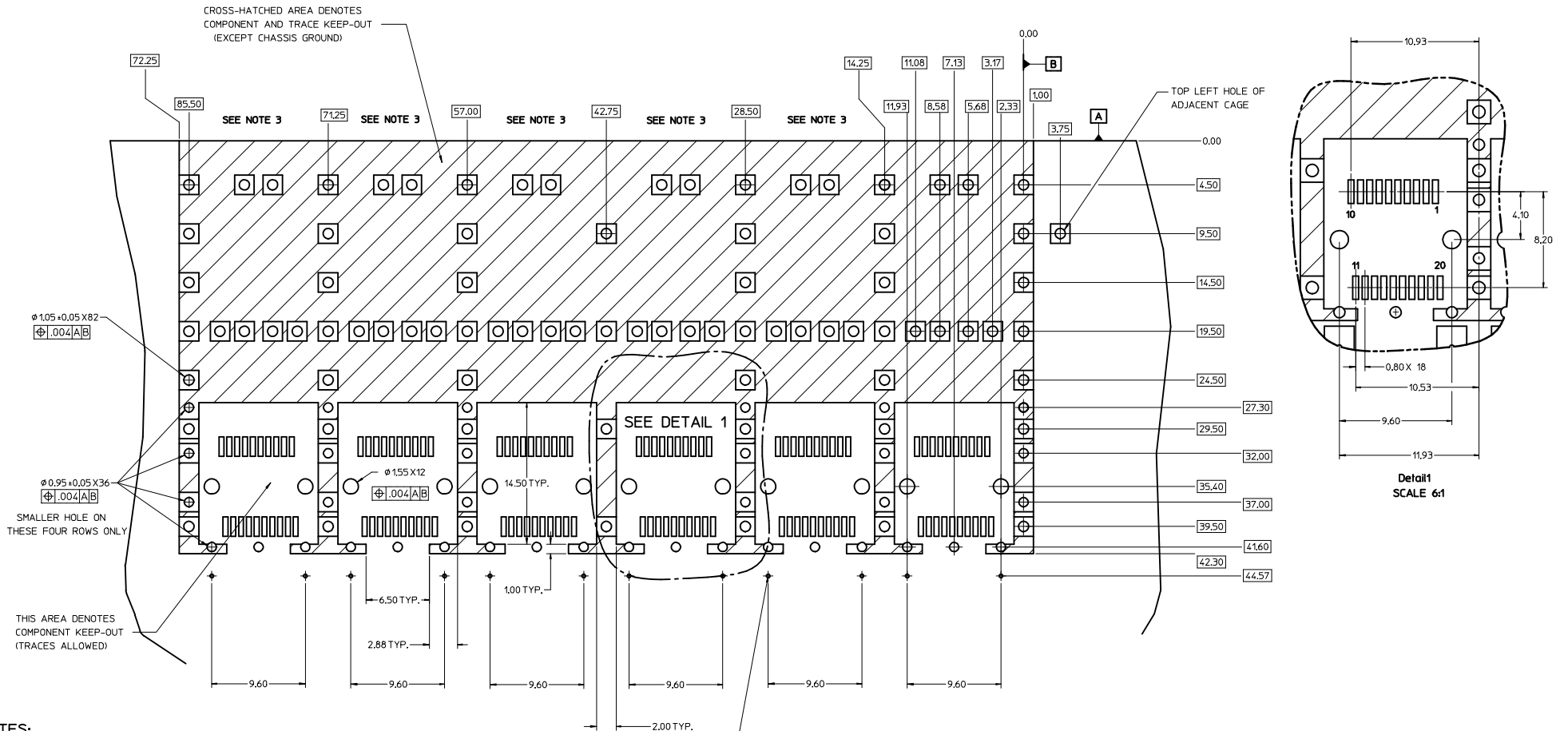
NOTE:

1. MATERIAL:  
 LIGHT PIPE: LEXAN 940A (CLEAR)  
 LIGHT PIPE COVER: 0.25 ±0.013 C770 NICKEL SILVER
1. PCB THICKNESS VARIATION MUST BE CONSIDERED WHEN DETERMINING BEZEL OPENING, SIZE LOCATION.
2. DIMENSIONS RELATED TO THE BEZEL/CAGE, ON THE TOP SIDE OF THE PCB ARE TYPICAL ON THE BOTTOM SIDE OF THE PCB.
3. LEAD FREE, NO RoHS EXEMPTIONS.

SEE REVISION TABLE IEC NO: CPG2013-0860 D DRAWN: LERMIN 2008/08/13 CHYDARINE 2012/09/26 APPROX: KLOYD 2012/10/04 REV DESCRIPTION	QUALITY SYMBOLS	GENERAL TOLERANCES (UNLESS SPECIFIED)	DIMENSION STYLE	SCALE	DESIGN UNITS	THIRD ANGLE PROJECTION
	▼=0 ▽=0	mm INCH 4 PLACES ± --- ± --- 3 PLACES ± --- ± --- 2 PLACES ± 0.13 ± --- 1 PLACE ± 0.25 ± --- ANGULAR ± ---°	MM ONLY	3:1	METRIC	DRAWN BY DATE KSIMONSO 2004/07/08 CHECKED BY DATE BRUSSELL 2004/07/08 APPROVED BY DATE BRUSSELL 2004/07/08
	DRAFT WHERE APPLICABLE MUST REMAIN WITHIN DIMENSIONS	MATERIAL NO. 747480001	DOCUMENT NO. SD-74748-001	MOLEX INCORPORATED		SHEET NO. 1 OF 5
	THIS DRAWING CONTAINS INFORMATION THAT IS PROPRIETARY TO MOLEX INCORPORATED AND SHOULD NOT BE USED WITHOUT WRITTEN PERMISSION					

# PCB LAYOUT FOR BELLY TO BELLY MOUNTING

## HOST CONNECTOR DETAIL



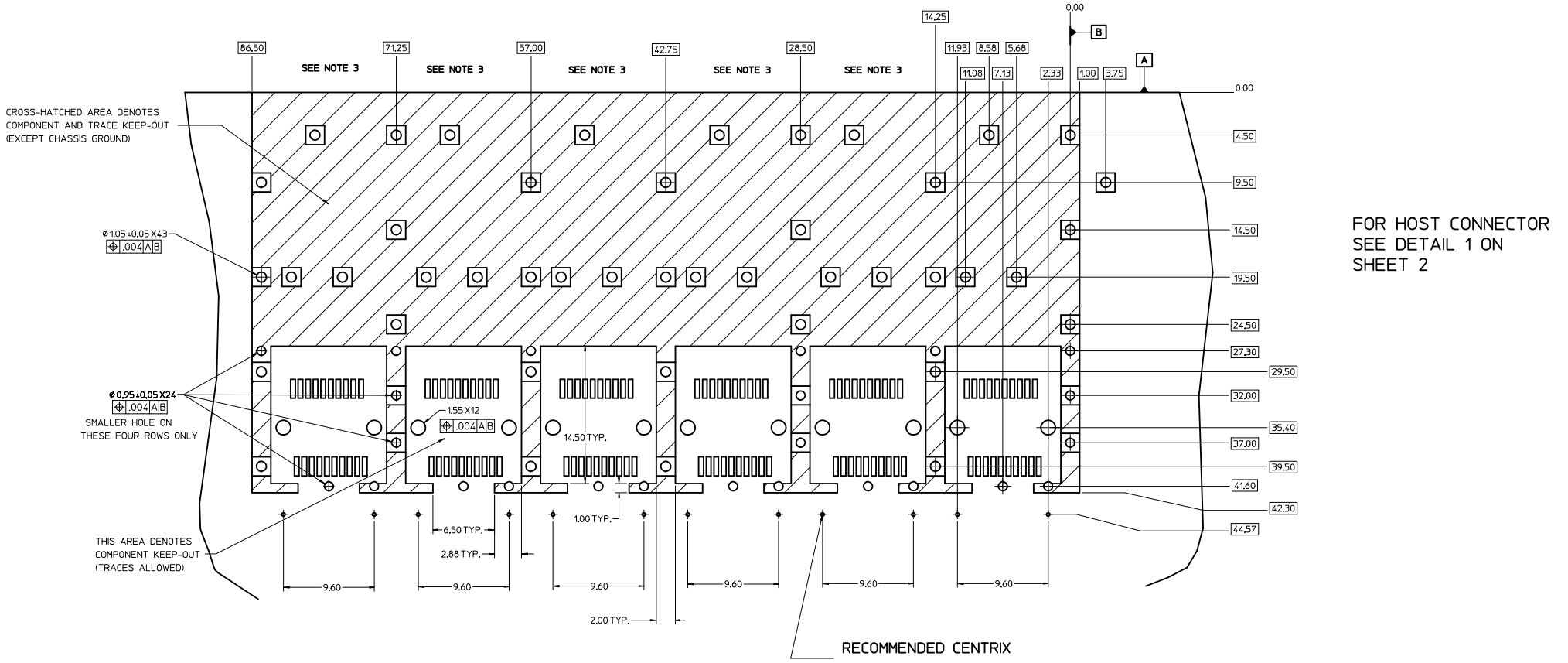
**NOTES:**

1. PADS AND VIAS CONNECT TO CHASSIS GROUND, (94 PLACES).  
RECOMMENDED PADS TO BE 2mm SQUARE.
2. PLATING OPTIONAL FOR THROUGH HOLES (X PLACES)
3. RECOMMENDED PLATING INCLUDES HASL, IMMERSION (GOLD, SILVER, OR TIN), AND OSP.
4. HOLE PATTERN REPEATS FOR EACH PORT,  
SPACING BETWEEN PORTS IS 14.25mm
5. CONNECTOR PAD LAYOUT PER SFP MSA. WILL ACCOMODATE MOLEX CONNECTOR SERIES 74441 OR EQUIVALENT.
6. LEDS SHOULD BE PLACED RELATIVE TO THE SFP CONNECTOR POST HOLES.
7. DETAILS APPLY TO EACH PORT.

RECOMMENDED CENTRIX  
OF LED

<b>SEE REVISION TABLE</b> IEC NO: CPG2013-0860 DRAWN: ERWIN CHECKED: KARINE APPROVED: LLOYD	2008/08/13 2012/09/26 2012/10/04	DESCRIPTION CHYKARINE APPR: LLOYD	QUALITY SYMBOLS		GENERAL TOLERANCES (UNLESS SPECIFIED) 4 PLACES ±--- ±--- 3 PLACES ±--- ±--- 2 PLACES ±0.13 ±--- 1 PLACE ±0.25 ±--- ANGULAR ±---°	DIMENSION STYLE <b>MM ONLY</b> DRAWN BY: KSI MONSO CHECKED BY: BRUSSELL APPROVED BY: BRUSSELL DATE: 2004/07/08 DATE: 2004/07/08 DATE: 2004/07/08	SCALE: 5:1 DESIGN UNITS: METRIC THIRD ANGLE PROJECTION	TITLE: <b>1X6 SFP LIGHT PIPE ASSEMBLY, BACK-TOP</b>			
			DRAFT WHERE APPLICABLE MUST REMAIN WITHIN DIMENSIONS						MATERIAL NO: <b>747480001</b>	DOCUMENT NO: <b>SD-74748-001</b>	SHEET NO: 2 OF 5
			MOLEX INCORPORATED								
			THIS DRAWING CONTAINS INFORMATION THAT IS PROPRIETARY TO MOLEX INCORPORATED AND SHOULD NOT BE USED WITHOUT WRITTEN PERMISSION								

# PCB LAYOUT FOR SINGLE SIDE MOUNTING

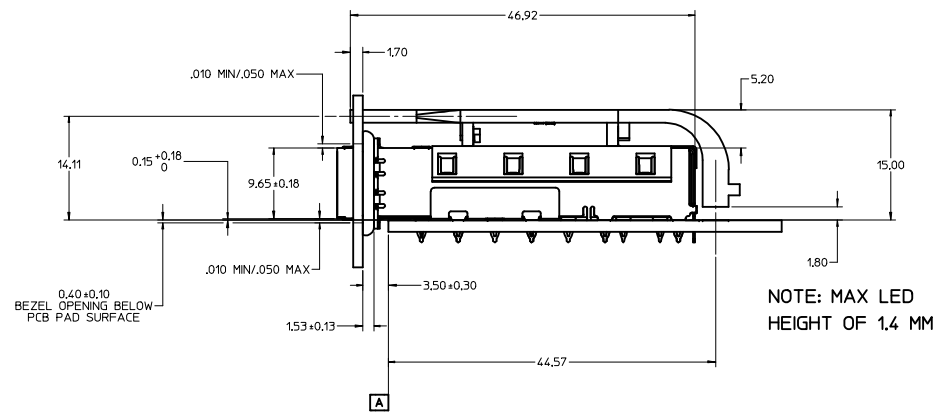
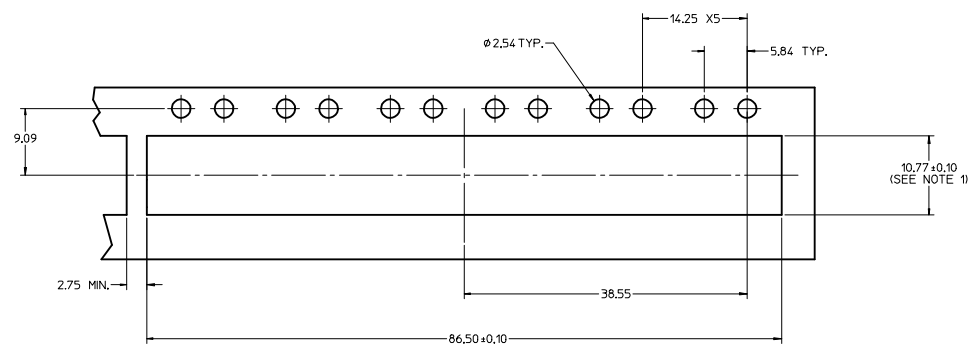


**NOTES:**

1. PADS AND VIAS CONNECT TO CHASSIS GROUND, (49 PLACES).  
RECOMMENDED PADS TO BE 2mm SQUARE.
2. PLATING OPTIONAL FOR THROUGH HOLES (X PLACES)
3. RECOMMENDED PLATING INCLUDES HASL, IMMERSION (GOLD, SILVER, OR TIN), AND OSP.
4. HOLE PATTERN REPEATS FOR EACH PORT,  
SPACING BETWEEN PORTS IS 14.25mm
5. CONNECTOR PAD LAYOUT PER SFP MSA. WILL ACCOMODATE MOLEX CONNECTOR SERIES 74441 OR EQUIVALENT.
6. LEDS SHOULD BE PLACED RELATIVE TO THE SFP CONNECTOR POST HOLES.
7. DETAILS APPLY TO EACH PORT.

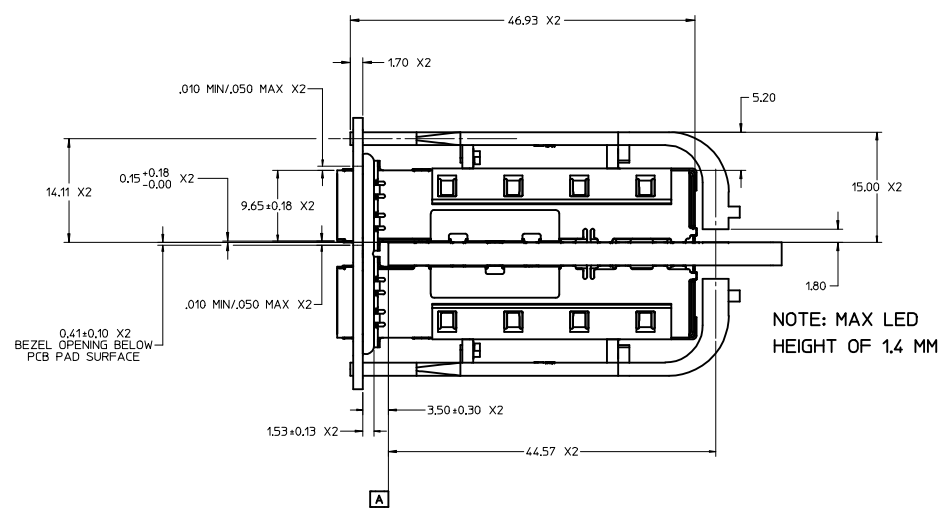
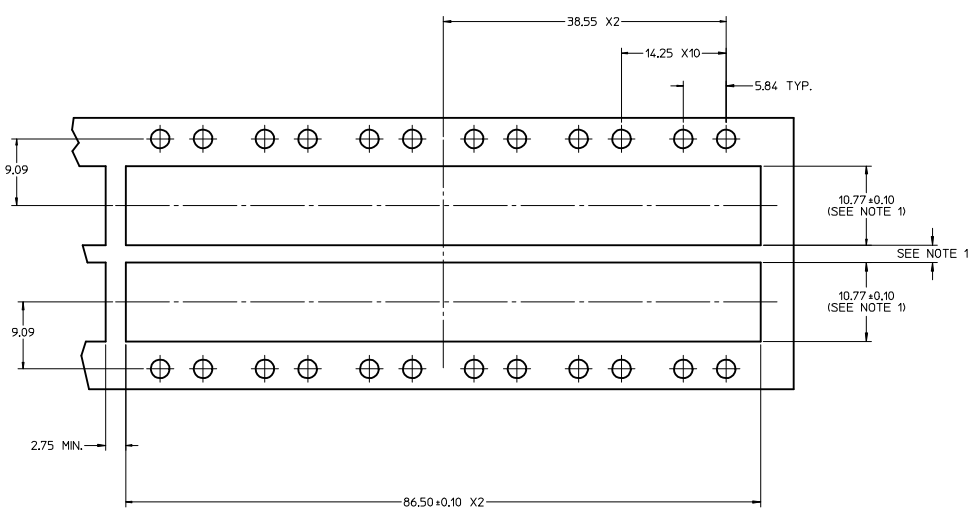
<b>SEE REVISION TABLE</b> IEC NO: CPG2013-0860 DRAWN: ERWIN 2008/08/13 CHECKED: KARINE 2012/09/26 APPROVED: LLOYD 2012/10/04	<b>QUALITY SYMBOLS</b> ▽=0 ▽=0	GENERAL TOLERANCES (UNLESS SPECIFIED)		DIMENSION STYLE <b>MM ONLY</b>	SCALE <b>6:1</b>	DESIGN UNITS <b>METRIC</b>	THIRD ANGLE PROJECTION		
		4 PLACES ±--- ±--- 3 PLACES ±--- ±--- 2 PLACES ±0.13 ±--- 1 PLACE ±0.25 ±---	mm INCH	DRAWN BY KSI MONSO	DATE 2004/07/08	TITLE <b>1X6 SFP LIGHT PIPE ASSEMBLY, BACK-TOP</b>			
		DRAFT WHERE APPLICABLE MUST REMAIN WITHIN DIMENSIONS		APPROVED BY BRUSSELL	DATE 2004/07/08	MOLEX INCORPORATED			
				MATERIAL NO. <b>747480001</b>	DOCUMENT NO. <b>SD-74748-001</b>	SHEET NO. 3 OF 5			

BEZEL AND BOARD POSITION DIMENSIONS FOR SINGLE SIDE MOUNTING



NOTE: MAX LED HEIGHT OF 1.4 MM

BEZEL AND BOARD POSITION DIMENSIONS FOR BELLY TO BELLY MOUNTING



NOTE: MAX LED HEIGHT OF 1.4 MM

NOTE:  
 1. PCB THICKNESS VARIATION MUST BE CONSIDERED WHEN DETERMINING BEZEL OPENING, SIZE LOCATION.  
 2. DIMENSIONS RELATED TO THE BEZEL/CAGE, ON THE TOP SIDE OF THE PCB ARE TYPICAL ON THE BOTTOM SIDE OF THE PCB.

SEE REVISION TABLE IEC NO: CPG2013-0860 DRAWN BY: ERWIN 2008/08/13 CHECKED BY: CHYDARINE 2012/09/26 APPROVED BY: APPR:KLOYD 2012/10/04	QUALITY SYMBOLS	GENERAL TOLERANCES (UNLESS SPECIFIED)	DIMENSION STYLE	SCALE	DESIGN UNITS	THIRD ANGLE PROJECTION	
	▽=0 ▽=0	mm      INCH	MM ONLY	4:1	METRIC	☉	
		4 PLACES ± --- ± --- 3 PLACES ± --- ± --- 2 PLACES ± 0.13 ± --- 1 PLACE ± 0.25 ± --- ANGULAR ± ---°	DRAWN BY      DATE KS IMONSO      2004/07/08 CHECKED BY      DATE BRUSSELL      2004/07/08 APPROVED BY      DATE BRUSSELL      2004/07/08	TITLE	1X6 SFP LIGHT PIPE ASSEMBLY, BACK-TOP		
		DRAFT WHERE APPLICABLE MUST REMAIN WITHIN DIMENSIONS	MATERIAL NO. 747480001	DOCUMENT NO. SD-74748-001	MOLEX INCORPORATED		
			SIZE D	THIS DRAWING CONTAINS INFORMATION THAT IS PROPRIETARY TO MOLEX INCORPORATED AND SHOULD NOT BE USED WITHOUT WRITTEN PERMISSION			

