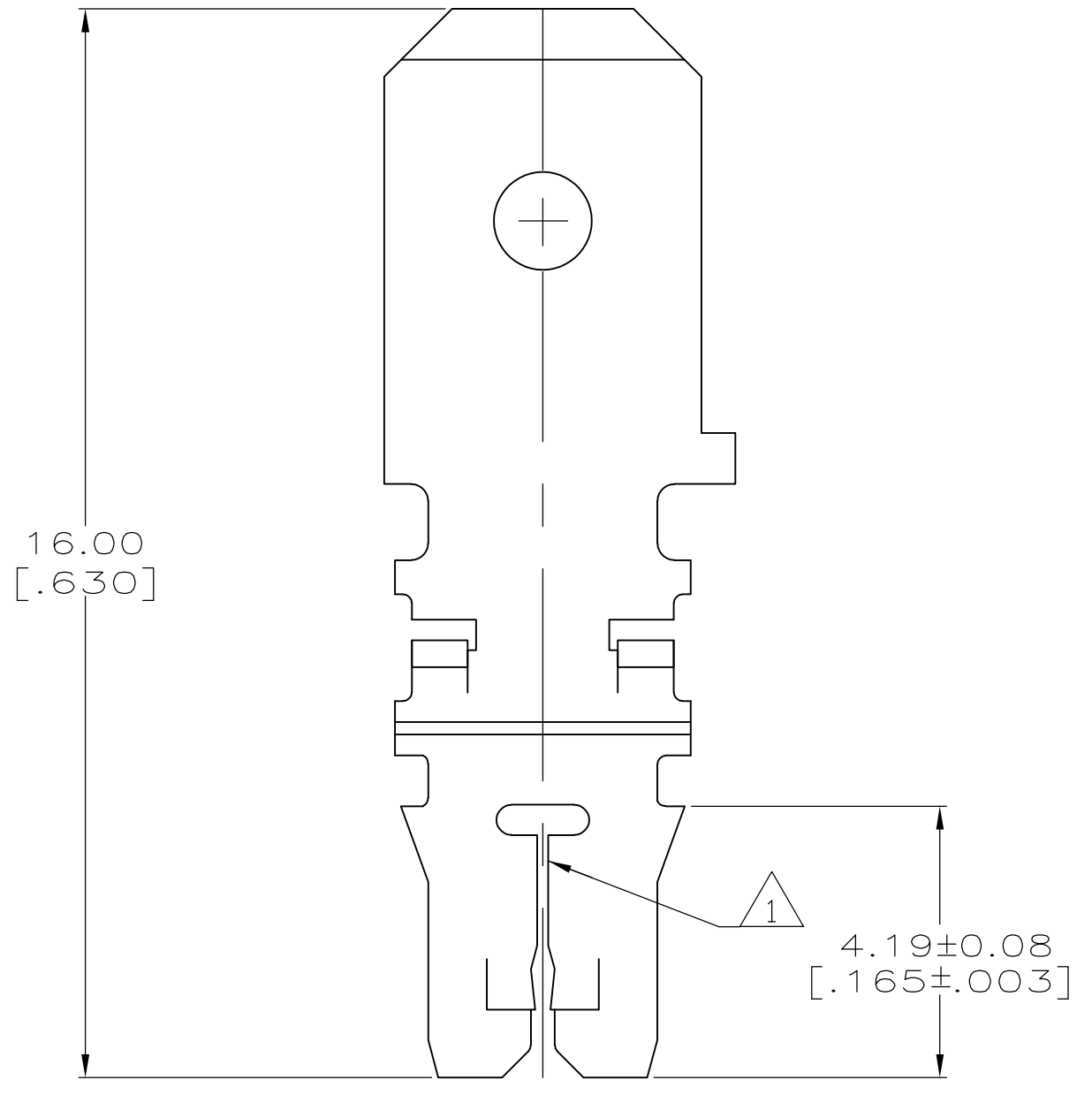
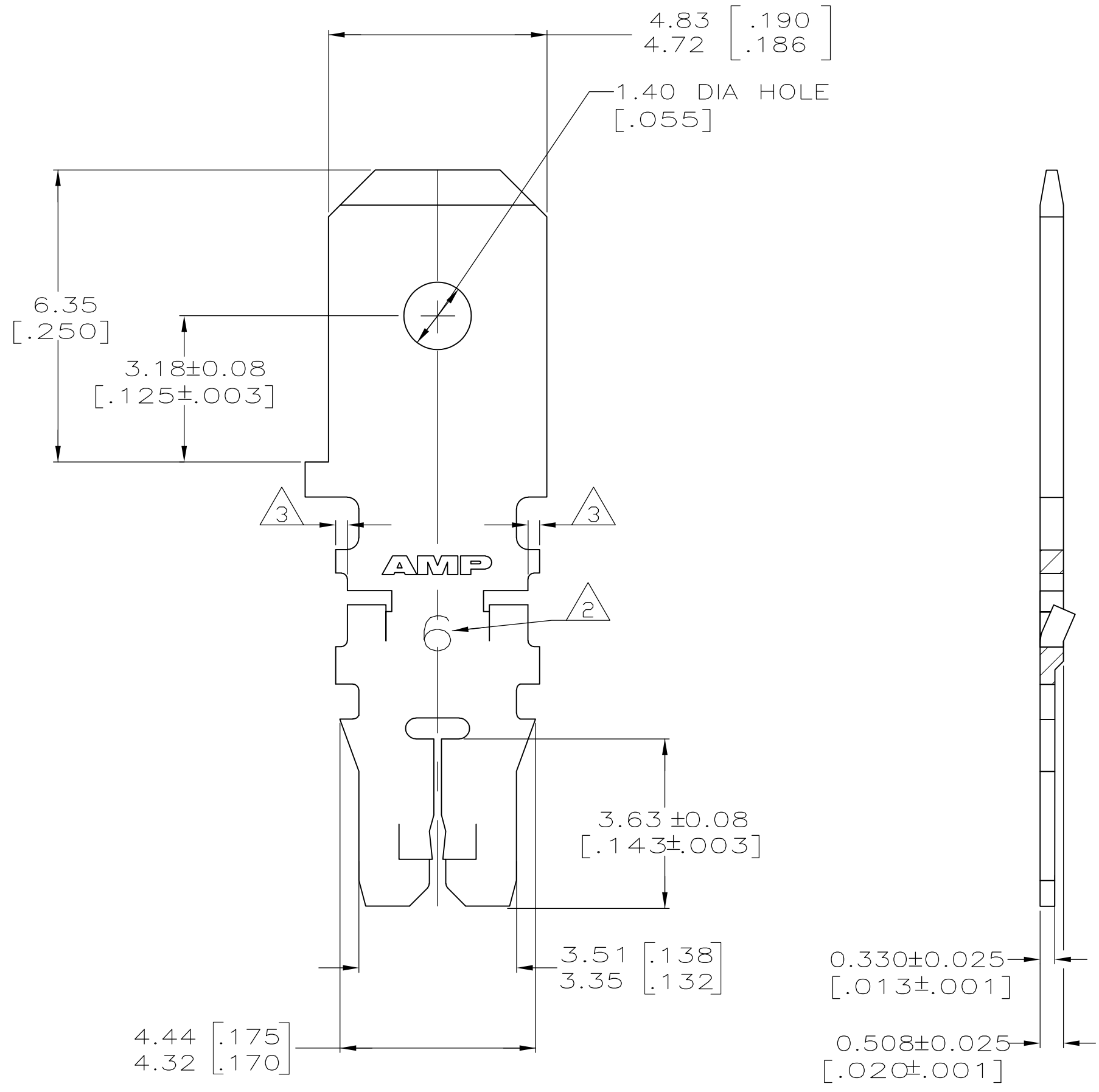


THIS DRAWING IS UNPUBLISHED. RELEASED FOR PUBLICATION  
 © COPYRIGHT - By - ALL RIGHTS RESERVED.

LOC	DIST	REVISIONS			
P	LTR	DESCRIPTION	DATE	DWN	APVD
AF	50	A2	ECR-15-005665	10AUG2015	BDA/PKS

- 1 SLOT ACCEPTS 0.25-0.32mm [#30-#28] AWG COPPER MAGNET WIRE. TWO WIRES OF THE SAME SIZE AND TYPE MAX PER SLOT. SLOT ACCEPTS 0.32-0.45mm [#28-#25] AWG ALUMINUM MAGNET WIRE. ALUMINUM WIRE RANGE APPLIES FOR POST-TIN PLATED VERSIONS ONLY.
- 2 IDENTIFICATION NUMBER 6 FOR THE MAGNET WIRE SLOT SIZE.
- 3 0.25 [.010] MAX CARRIER CUT-OFF TABS.



1742454-1  
 PART NUMBER

THIS DRAWING IS A CONTROLLED DOCUMENT.		DWN 03AUG2006 MICHAEL S. FEHER	<b>TE</b> TE Connectivity		
DIMENSIONS: INCHES		CHK 03AUG2006 KURT A. RANDOLPH			
TOLERANCES UNLESS OTHERWISE SPECIFIED:		APVD 03AUG2006 KURT A. RANDOLPH	NAME LOOSE PIECE, TAB, 4.75 [.187] FASTON, MAG-MATE Slim Line		
0 PLC ± -		PRODUCT SPEC 108-1484	SIZE A2	CAGE CODE 00779	DRAWING NO 1742454
1 PLC ± -		APPLICATION SPEC 114-2140	RESTRICTED TO -		
2 PLC ± 0.13 [.005]		WEIGHT -	SCALE 10:1		
3 PLC ± -		MATERIAL 082 PRE-MILLED BRASS	SHEET 1 of 1		
4 PLC ± -		FINISH 0.002032 [.000080] MIN TIN PLATE	REV A2		
ANGLES ± -		CUSTOMER DRAWING			

1742454