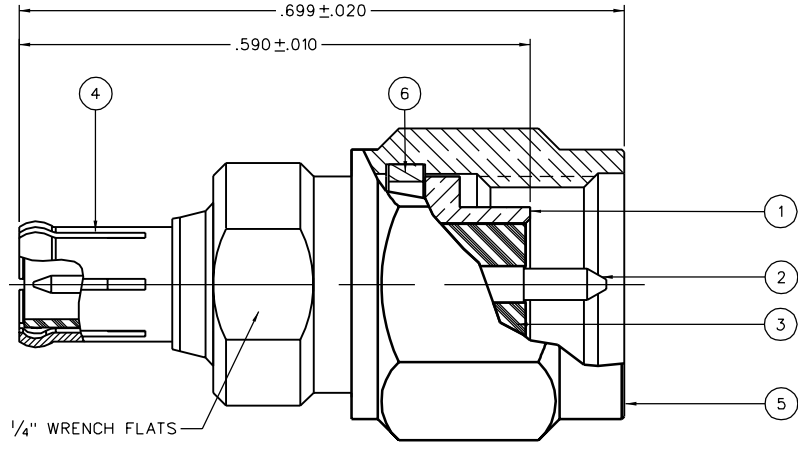
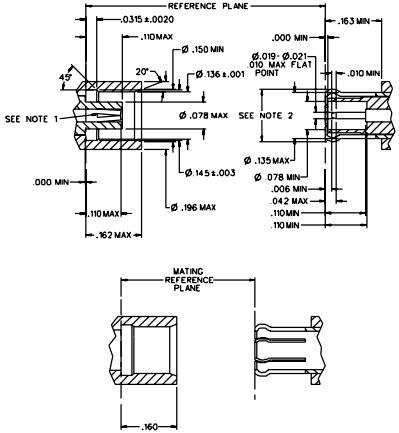


DRAWING NO.		C - 134-1018-011/020	
0		REVISIONS	
ENGINEERING RELEASE			
1	9-11-98	R H A B	10-15-98 ECN 45835
CHANGED: 5.6 LBS MAX ENGAGE WAS 3.4 LBS 1.0/8.0 LBS MIN/MAX DISENGAGE WAS 5 LBS TYPICAL			
* REVISION NUMBER FOLLOWED BY AN ALPHA *			
* CHARACTER INDICATES DRAWING CLARIFICATION OR PART NUMBER ADDITION ONLY. *			
1a	10-23-00	R H A B	ECN 47376

PART NUMBER	ITEM ① BODY	ITEM ② CONTACT	ITEM ③ INSULATOR	ITEM ④ MCX INTERFACE SPRING	ITEM ⑤ COUPLING NUT	ITEM ⑥ COUPLING NUT SPRING
134-1018-011	BRASS GOLD PL .00001 MIN OVER NICKEL PL .00005 MIN OVER COPPER PL .00005 MIN	BERYLLIUM COPPER GOLD PL .00005 MIN OVER NICKEL PL .00005 MIN OVER COPPER PL .00005 MIN	TEFLON	BERYLLIUM COPPER GOLD PL .00003 MIN OVER NICKEL PL .00005 MIN OVER COPPER PL .00005 MIN	BRASS GOLD PL .00001 MIN OVER NICKEL PL .00005 MIN OVER COPPER PL .00005 MIN	BERYLLIUM COPPER UNPLATED

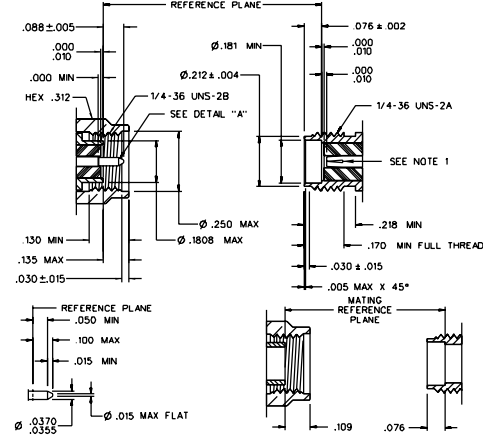
MATING ENGAGEMENT FOR MCX SERIES PER CECC 22220

1. ID OF CONTACT TO MEET VSWR, MATING CHARACTERISTICS AND CONNECTOR DURABILITY WHEN MATED WITH A DIA .020+-001 MALE CONTACT.
2. MUST MEET THE FORCE TO ENGAGE AND DISENGAGE WHEN MATED WITH MATING PART.



MATING ENGAGEMENT FOR SMA SERIES THICKWALL PLUG COMPATIBLE WITH MIL-C-39012

1. ID TO MEET VSWR, CONTACT RESISTANCE AND INSERTION WITHDRAWAL FORCES WHEN MATED WITH A DIA .0355-.0370 PIN.



NOTES:

1. SPECIFICATIONS:
 - IMPEDANCE: 50 OHMS
 - FREQUENCY RANGE: 0-6 GHz
 - VSWR: 1.03-.03F MAX (F IN GHz)
 - WORKING VOLTAGE: 3.35 VRMS MAX AT SEA LEVEL
 - DIELECTRIC WITHSTANDING VOLTAGE: 1000 VRMS MIN AT SEA LEVEL
 - INSULATION RESISTANCE: 10000 MEGOHM MIN
 - CONTACT RESISTANCE:
 - CENTER CONTACT - INITIAL 5 MILLIOHM MAX, AFTER ENVIRONMENTAL 8 MILLIOHM MAX
 - OUTER CONDUCTOR - GOLD PLATED INITIAL 1 MILLIOHM MAX, AFTER ENVIRONMENTAL 1.5 MILLIOHM MAX
 - BRAID TO BODY - NOT APPLICABLE
 - CORONA LEVEL: 250 VOLTS MINIMUM AT 70,000 FEET
 - INSERTION LOSS: .1 dB MAX AT 1 GHz
 - RF LEAKAGE: -.50 dB AT 2.5 GHz
 - RF HIGH POTENTIAL WITHSTANDING VOLTAGE: 700 VRMS AT 4 AND 7 MHz
- MECHANICAL:
 - ENGAGE/DISENGAGE FORCE (MCX): 5.6 LBS MAX ENGAGEMENT
 - ENGAGE/DISENGAGE TORQUE (SMA): 2.0 IN LBS MIN/MAX DISENGAGEMENT
 - MATING TORQUE (SMA): 7-10 IN LBS MAX
 - CONTACT RETENTION FORCE: 6 LBS MIN
 - CONTACT RETENTION TORQUE: NOT APPLICABLE
 - COUPLING NUT RETENTION (SMA): 60 LBS MIN
 - CABLE ACCEPTABILITY: NOT APPLICABLE
 - CABLE HEX CRIMP SIZE: NOT APPLICABLE
 - CABLE RETENTION: NOT APPLICABLE
 - DURABILITY: 500 CYCLES MIN
- ENVIRONMENTAL:
 - (MEETS OR EXCEEDS THE APPLICABLE PARAGRAPH OF MIL-C-39012)
 - THERMAL SHOCK: MIL-STD-202, METHOD 107, CONDITION F
 - OPERATING TEMPERATURE: -55 DEG C TO 165 DEG C
 - CORROSION: MIL-STD-202, METHOD 101, CONDITION B
 - SHOCK: MIL-STD-202, METHOD 213, CONDITION B
 - VIBRATION: MIL-STD-202, METHOD 204, CONDITION B
 - MOISTURE: MIL-STD-202, METHOD 106

CUSTOMER DRAWING
THIS DRAWING TO BE INTERPRETED PER ANSI Y 14.5M - 1982
"μ STATION"
COMPANY CONFIDENTIAL

TOLERANCE UNLESS OTHERWISE SPECIFIED	DRAWN BY T.A.KARI	DATE 4-24-98	299 Johnson Ave. P.O. Box 1732 Waseca, MN 56093-0832
DECIMALS .XX	CHECKED BY	DATE	
REF .XXX	APPROVED BY TAK	DATE 9-16-98	TITLE ASSEMBLY, ADAPTER BETWEEN SERIES SMA PLUG TO MCX PLUG
MATL	APPROVED BY RJB	DATE 9-24-98	CODE NO.
FINISH	RELEASE DATE	10-15-98	DRAWING NO. C - 134-1018-011/020
SCALE 10:1 U/M INCH			SHEET 2 OF 2