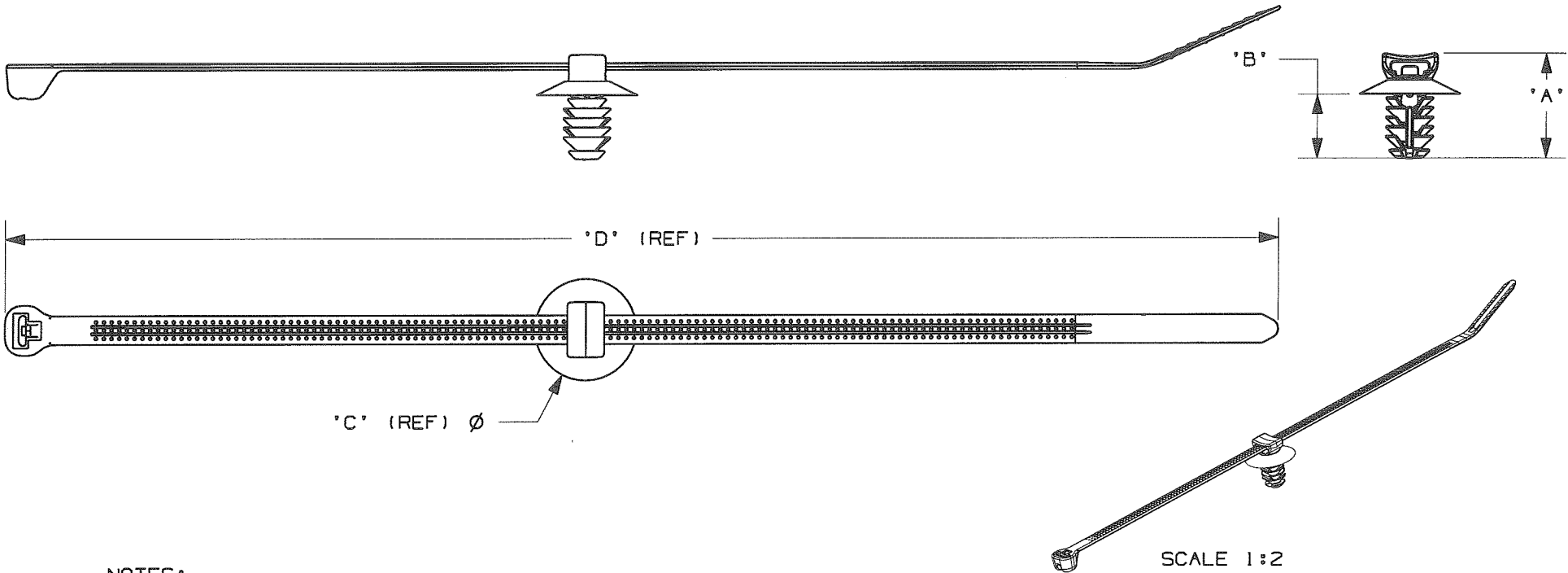


THIS COPY IS PROVIDED ON A RESTRICTED BASIS AND IS NOT TO BE USED IN ANY WAY DETRIMENTAL TO THE INTERESTS OF PANDUIT CORP.

PANDUIT PART NUMBER	CABLE TIE		DIMENSIONS				MATERIAL	WEIGHT grams/100pcs
	MIN TENSILE	MAX BUNDLE	'A'	'B'	'C' (REF)	'D' (REF)		
PUM-071-B2S-_30	222 N (50 LBS)	51 (2.0")	16.9	10.4	16.5	203	HEAT STABILIZED PA66 BLACK	161



NOTES:

1. SEE CURRENT PRICE SHEET FOR PART NUMBER SUFFIX DESIGNATION FOR PACKAGE SIZE.
2. (*) DIMENSIONAL VARIANCE IS POSSIBLE DUE TO MOLDING PROCESS RELATED SINK MARKS.
3. APPLICATION SPECIFICATION:
A. HOLE DIAMETER: 6.3 - 7.1 mm
B. PANEL THICKNESS: 0.8 - 7.0 mm

CAD FILENAME/LAYERS		G01204TU_DC_GB0239NS_00B	
PANDUIT		CORP. TINLEY PARK, ILLINOIS	
PUM-071-B2S-_30		PUSH MOUNT/CABLE TIE ASSEMBLY	
UNLESS OTHERWISE SPECIFIED, ALL DIMENSIONS ARE GIVEN IN MILLIMETERS. TOLERANCE: ±0.5MM			

OOB	6/24/09	ARHA	RP	CORRECTED PART NUMBER, TABLE NOTATION, AND MATERIAL; REMOVED LABELS.	GB0239NS	OOB	KLN			DRAWN BY PSG	MAT'L;	SCALE 1:1 UNLESS NOTED
OOA	8/27/08	PSG		INITIAL RELEASE	GB0239NS	OOA				DATE 8/27/08	SEE TABLE	DRAWING NO. GB0239NS
REV	DATE	BY	CHK	DESCRIPTION	ECN	R	CUST	SUP		CHK'D KLN		DWG A SIZE