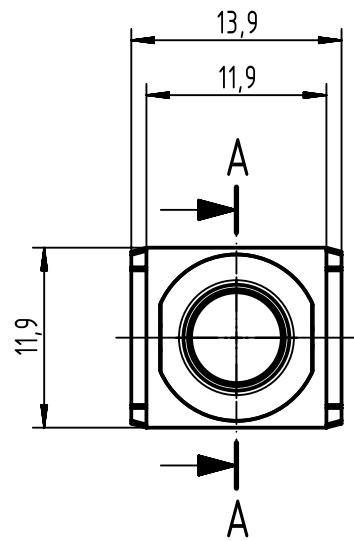


A

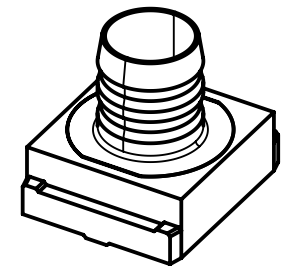
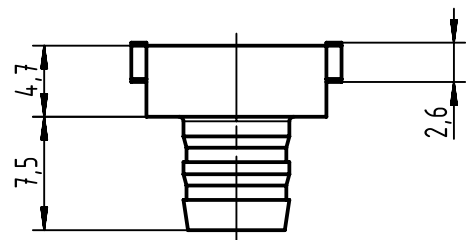
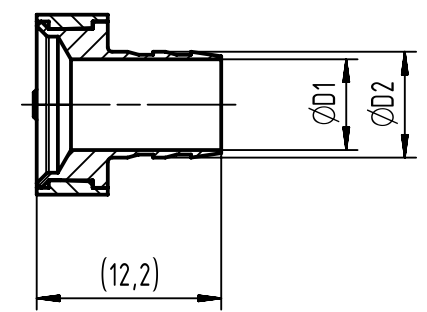
B

C

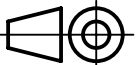

D



A-A



61 03 000 0072	9	10
61 03 000 0165	8,5	9,5
61 03 000 0071	8	9
61 03 000 0070	7,5	8,5
61 03 000 0069	7	8
61 03 000 0068	6,5	7,5
61 03 000 0067	6	7
61 03 000 0166	5,5	6,5
61 03 000 0066	5	6
61 03 000 0065	4,5	5,5
61 03 000 0064	4	5
61 03 000 0063	3,5	4,5
61 03 000 0062	3	4
Part number	ØD1	ØD2

	All Dimensions in mm Original Size DIN A4	Scale 2:1		Free size tol.		Ref.	
		Created by ZENG D		Inspected by LUOK		Standardisation SCHREIER	
	All rights reserved Department EC PD - CN	Title InduCom crimp flange		State Final Release		Doc-Key / ECM-Nr. 100075770/UGD/001/B 500000094.787	
		HARTING Electronics GmbH D-32339 Espelkamp		Type TB Number 61030000ZZZ		Rev. B Page 1/1	