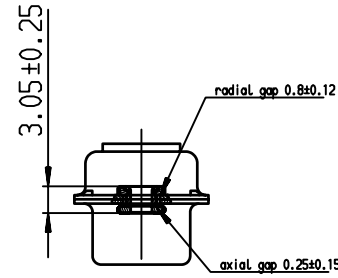
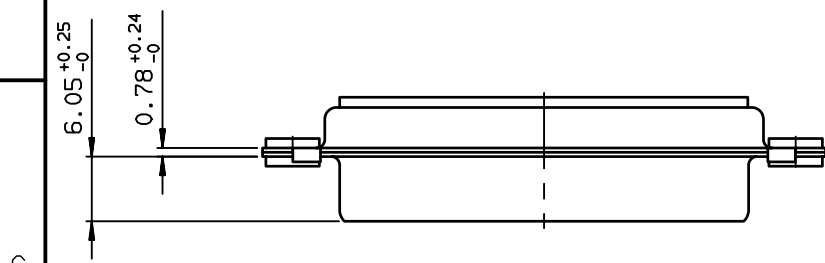
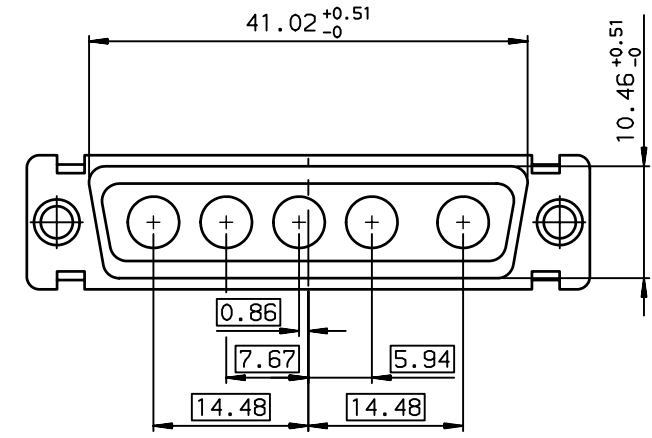
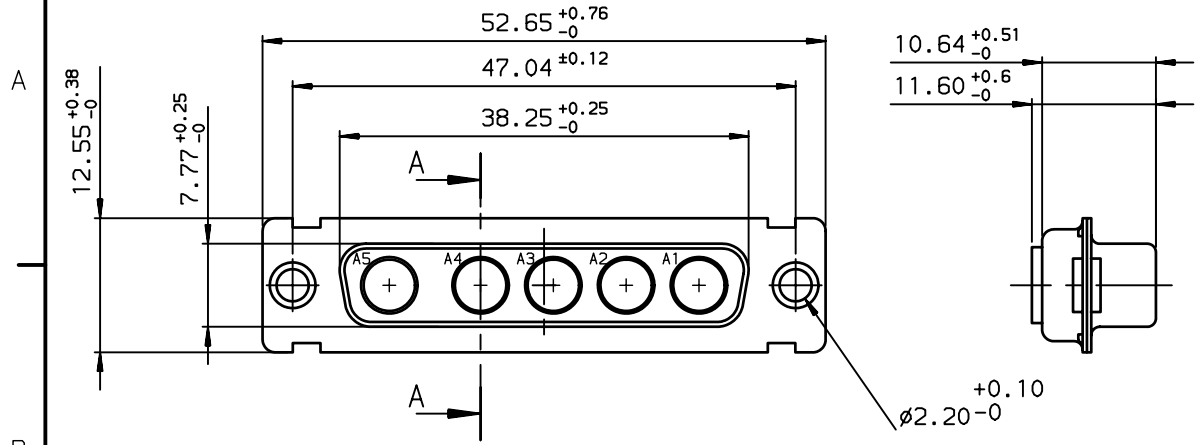
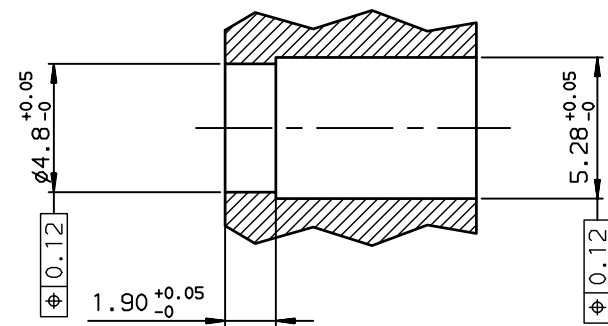


GENERAL CHARACTERISTICS : SEE DRAWING C01-8639-0001



SECTION AA ech:5



DBF5W5SA00
PART NUMBER

European Views

www.fciconnect.com			surface ISO 1302 ✓	tolerance std ISO 406 ISO 1101	projection mm	TOLERANCES UNLESS OTHERWISE SPECIFIED	
Dr	JARRY	2001/02/20	ANGULAR	LINEAR	0.X ±0.1	size	Scale
Eng	JARRY	2001/02/20	0.XX ±0.1	0.XXX ±0.1	A3	2	
Chr	LEGARE	2001/02/20	0.XX ±2	Product family	ECN	LS07-0273	
Appr	LEGARE	2001/02/20	D-SUB		Spec ref	-	
			FEMALE CONNECTOR 5W5 WITH FLOAT MOUNTING			dwg no	Rev.
catalog no			-			C01-8639-1868	D

rev	ech no	dr	date
B	-	DEB	2003/10/01
C	LS06-0097	LGO	2006/07/31
D	LS07-0273	MPE	2007/10/31
-	-	-	-
-	-	-	-
-	-	-	-



Copyright FCI.