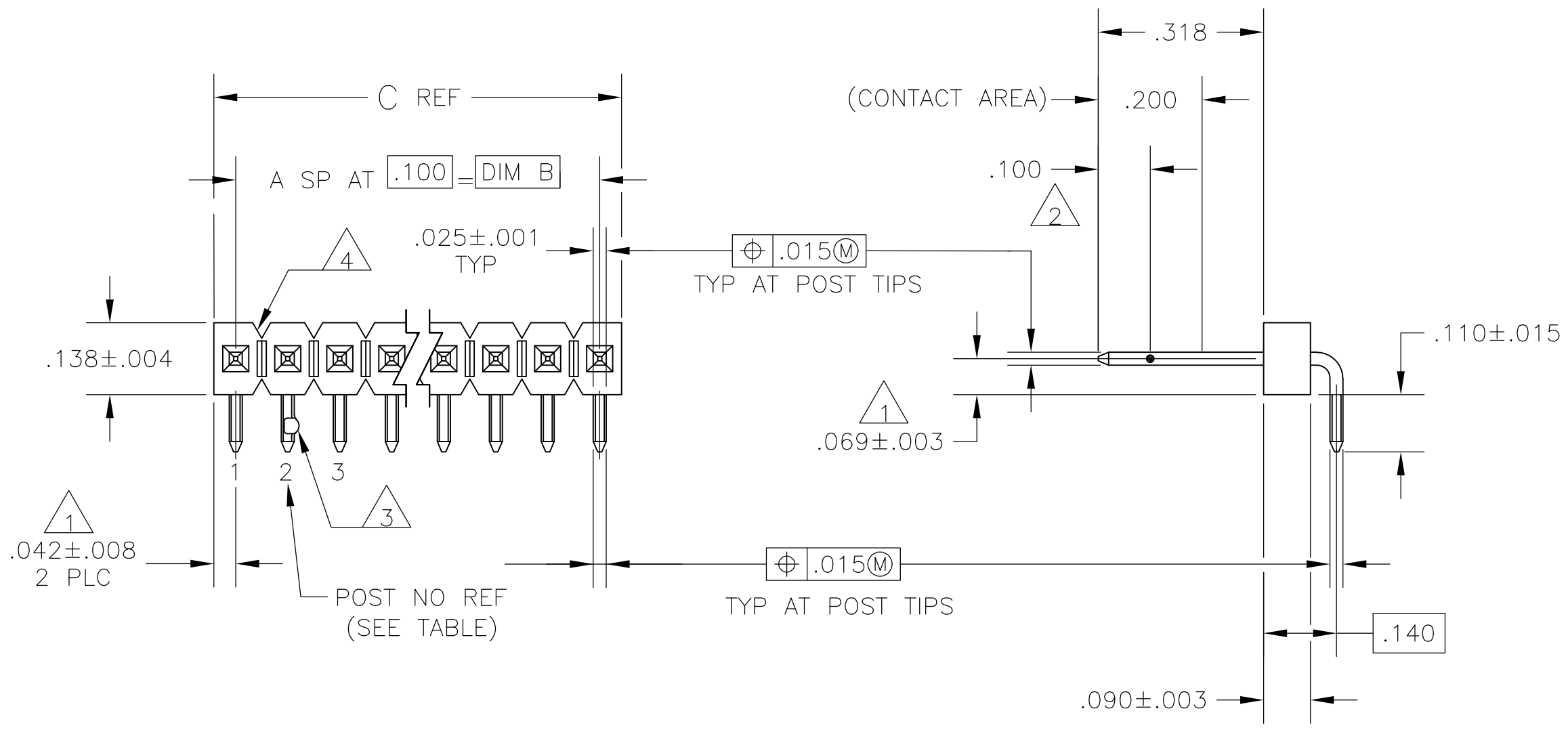
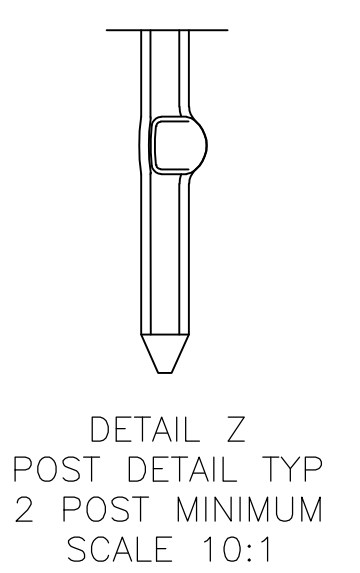
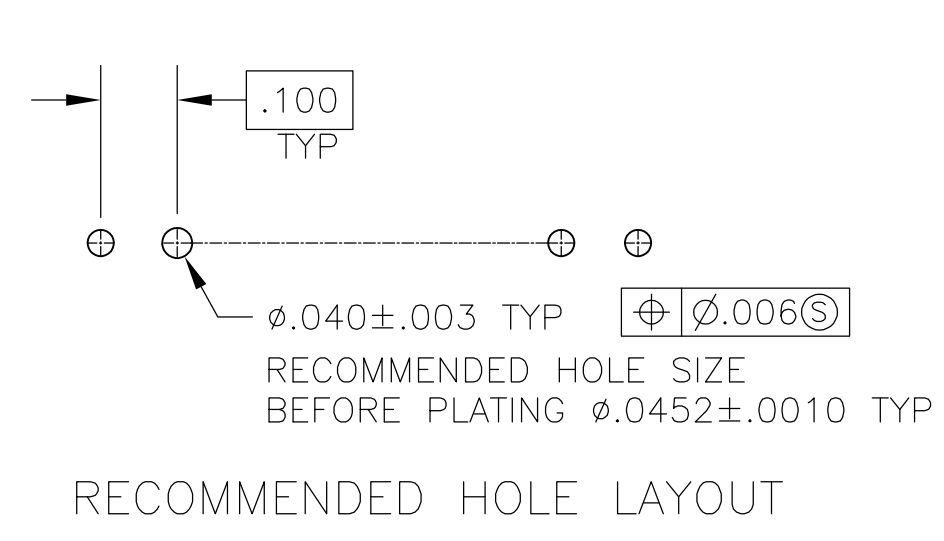


THIS DRAWING IS UNPUBLISHED. RELEASED FOR PUBLICATION  
 © COPYRIGHT BY TYCO ELECTRONICS CORPORATION. ALL RIGHTS RESERVED.

LOC	DIST	REVISIONS					
AD	00	P	LTR	DESCRIPTION	DATE	DWN	APVD
		G		EC 0G3C 0866 04	26MAY05	BSV	JLG
		G1		REVISED PER ECO-09-020689	28AUG09	KK	AEG



- 1 THE NOTED DIMENSION APPLIES AT THE INTERSECTION OF THE POST AND HOUSING
- 2 POINT OF MEASUREMENT FOR PLATING THICKNESS
- 3 SELECTIVE POSTS ARE FORMED TO PROVIDE CONNECTOR RETENTION TO PC BOARD UNTIL SOLDERED. RETENTION FEATURE IS FOR .055 MINIMUM PC BOARD THICKNESS. SEE DETAIL Z FOR FORM AND TABLE FOR LOCATIONS.
- 4 BREAKAWY NOTCH ANGLE CAN BE ORIENTED TO THE RIGHT (AS SHOWN) OR TO THE LEFT
- 5 FINISH: POSTS: .000015 GOLD ON THE CONTACT AREA, .000100-.000200 MATTE TIN LEAD ON THE SOLDER TAIL, ALL OVER .000050 NICKEL
- 6 FINISH: POSTS: .000015 GOLD ON THE CONTACT AREA, .000100-.000200 MATTE TIN ON THE SOLDER TAIL, ALL OVER .000050 NICKEL
- 7 HIGH TEMPERATURE CONFIGURATION.
- 8 OBSOLETE PARTS: OBSOLETE CIS STREAMLINING PER D.RENAUD/D.SINISI



REMARKS	PLATING	POST NUMBER OMITTED	HOLD-DOWN POST CONFIGURATION LOCATION	C	B	A	NO. ACTIVE POSN.	NO. OF POSN.	ASSEMBLY PART NUMBER	
OBSOLETE	7	6	5	1,2,3,4,11,12,13,14	1.384	1.300	13	13	14	5-104445-3
OBSOLETE	7	6	NONE	1,2	.184	.100	1	2	2	5-104445-1
OBSOLETE		5	5	1,2,3,4,11,12,13,14	1.384	1.300	13	13	14	104445-3
OBSOLETE		5	2,3	1,4	.384	.300	3	2	4	104445-2
		5	NONE	1,2	.184	.100	1	2	2	104445-1

THIS DRAWING IS A CONTROLLED DOCUMENT.

DIMENSIONS: INCHES	TOLERANCES UNLESS OTHERWISE SPECIFIED:	DWN H.MOLL 12JUL98	Tyco Electronics Corporation Harrisburg, Pa 17105-3608
	0 PLC ± - 1 PLC ± - 2 PLC ± - 3 PLC ± .005 4 PLC ± - ANGLES ± - FINISH SEE TABLE	CHK R.FEIDT 18JUL89	
		APVD R.FEIDT 18JUL89	
		PRODUCT SPEC	
MATERIAL: HOUSING: FLAME RETARDANT THERMOPLASTIC, COLOR-BLACK, POSTS: PHOS BRONZE	WEIGHT -	NAME R.FEIDT	HEADER ASSY, MODII, BREAKAWAY, RIGHT ANGLE, SINGLE ROW, .100 C/L, .025 SQ POSTS, W/ HOLD-DOWN CONFIG
CUSTOMER DRAWING		SIZE A2	RESTRICTED TO -
SCALE 4:1		CAGE CODE 00779	DRAWING NO C=104445
SHEET 1 OF 1		REV G1	