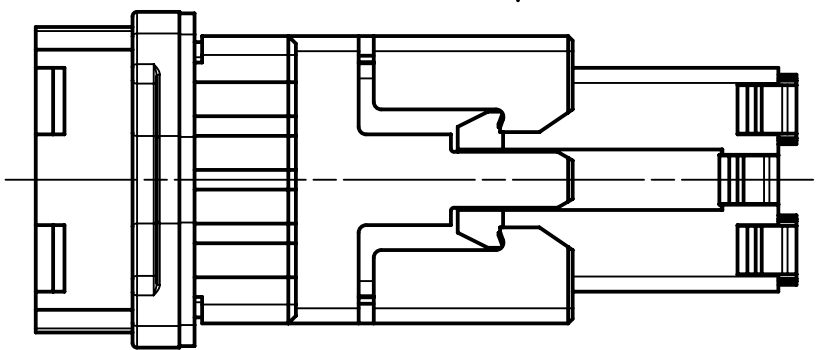
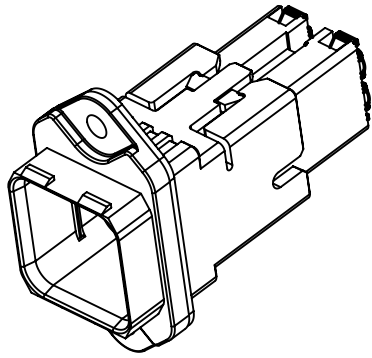
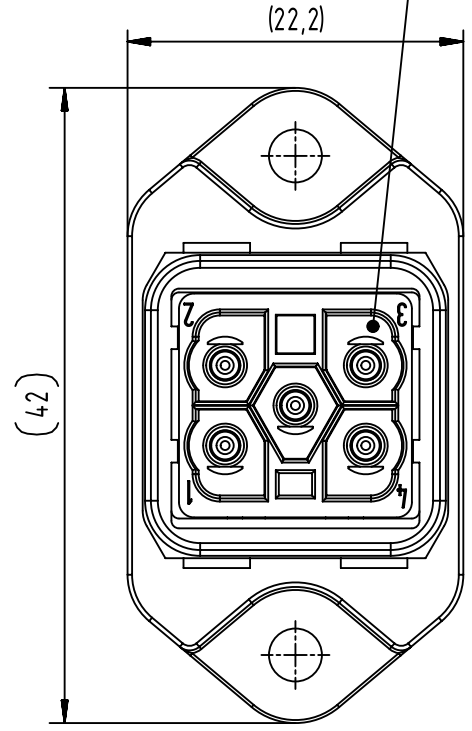
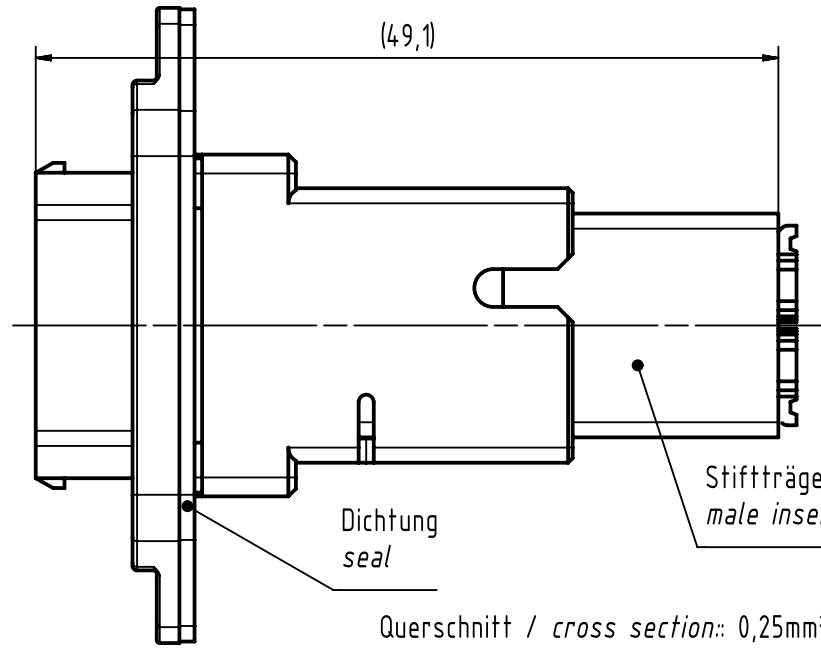


Wandstärke 1mm bis 6mm
thickness panel: 1mm to 6mm



Steckgesicht nach
IEC 61076-3-118
mating face acc.to
IEC 61076-3-118



	All rights reserved Department EC PD - DE	All Dimensions in mm Original Size DIN A4		Scale 2:1	Free size tol.	Ref. Sub. TB 09352340331 500000058722 2013-02-06	
		HARTING Electronics GmbH D-32339 Espelkamp	Created by ELLERMANN	Inspected by DAHMS	Standardisation HOFFMANN	Date 2013-06-12	State Final Release
		Title Han PP Power PFT metal QL AWG23-16				Rev. D	
		Type TB	Number 09352340331			Page 1/1	