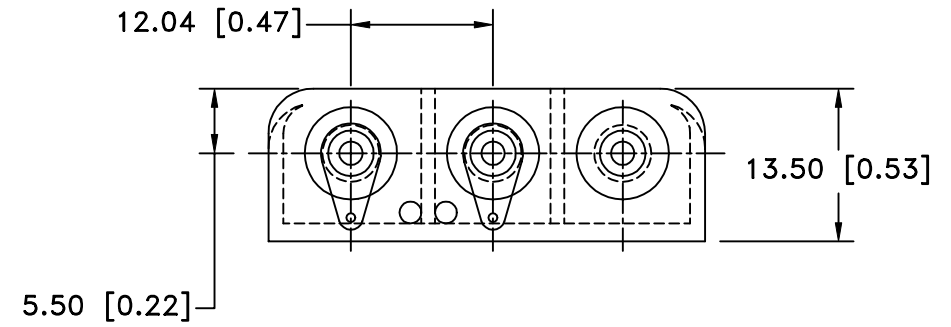
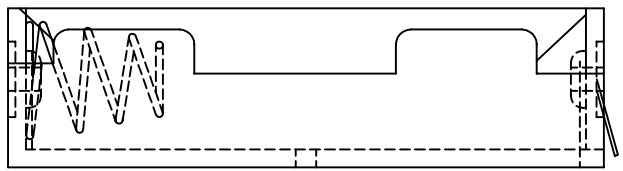
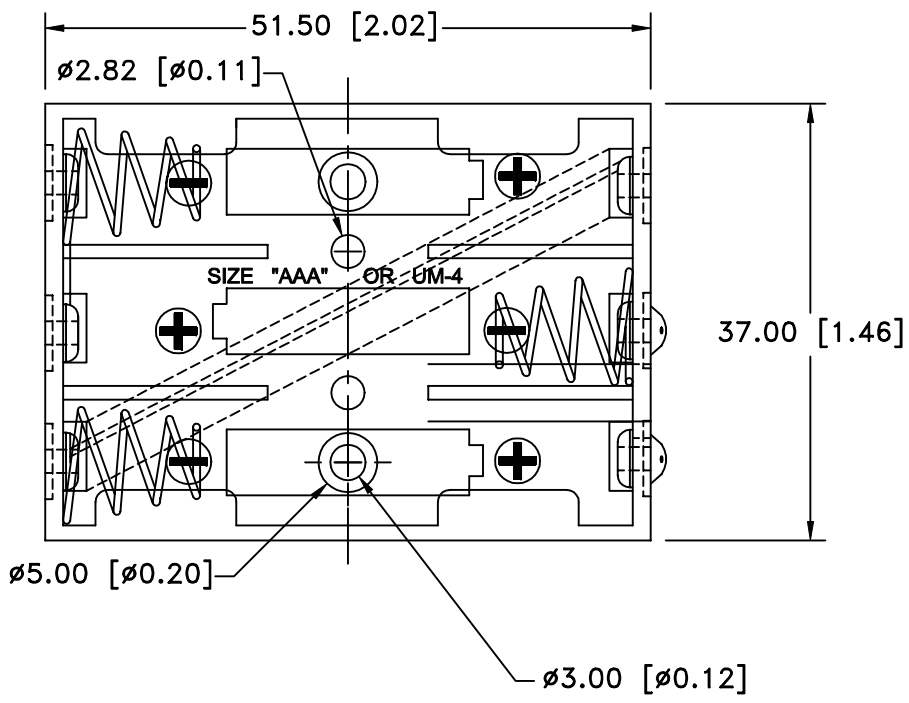



Date	SYM	REVISION RECORD	AUTH	DR.	CK.



NOTES:

- 1. MATERIAL:**
 HOUSING : BLACK POLYPROPYLENE
 RIVETS: BRASS, NICKLE PLTD.
 SPRING: SPRING STEEL, NICKLE PLTD.
 CONTACTS: SPRING STEEL, NICKLE PLTD.

Tolerance (Except as noted)	 Memory Protection Devices, Inc 200 Broad Hollow Road, Farmingdale, New York 11735		
decimal $\pm .5$ (.020)		Scale	Drawn By B.S. Approved By T.B.
Fractional $\pm .8$ (.030)	Title THREE "AAA" CELL HOLDER		
Angular $\pm 3^\circ$	Date 04/17/01	Drawing Number BC3AAAL	